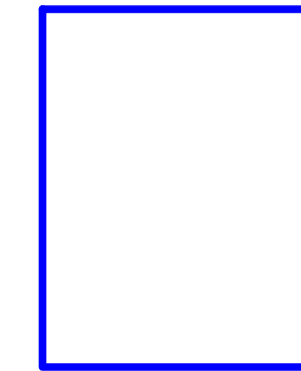


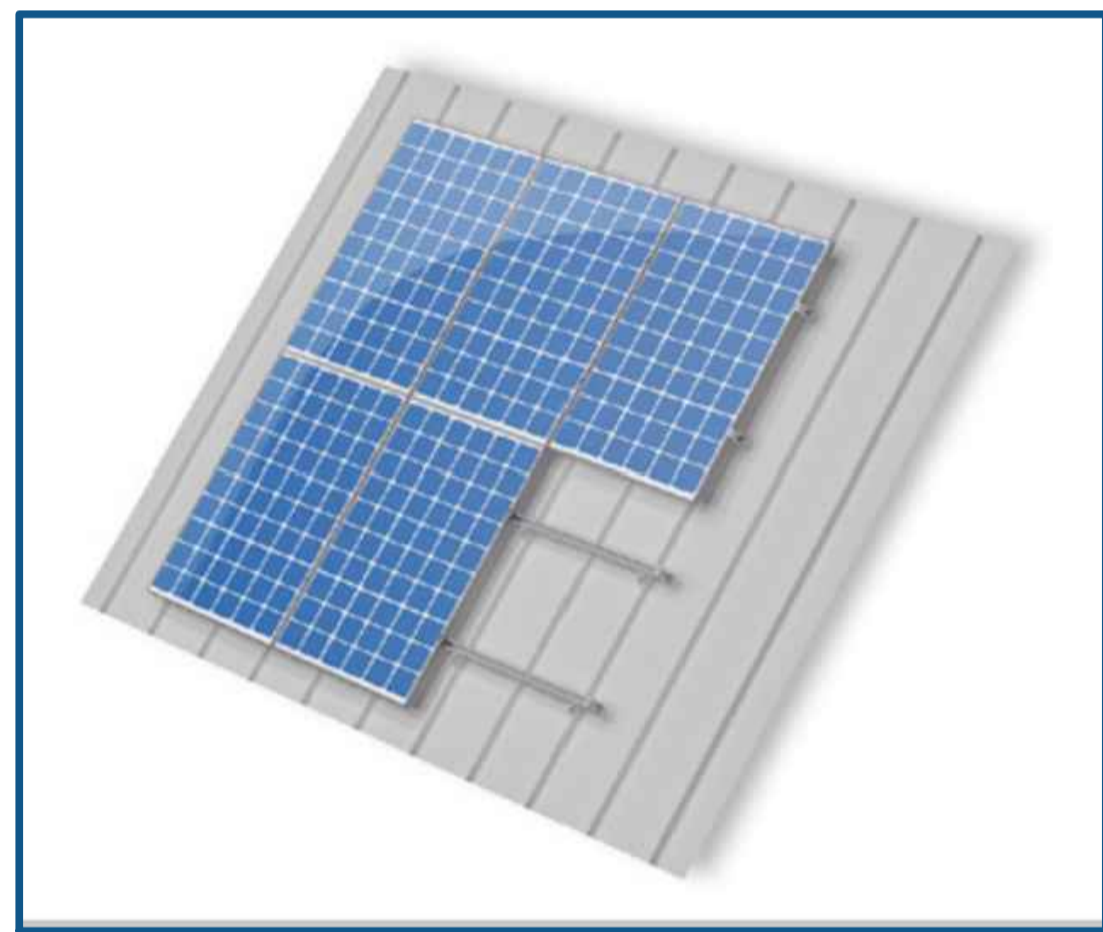
NOTES.

System size = 95.2 kWp  
 Total numbers of Modules = 224  
 Each PV Modules Output = 425 W  
 Total PV = 95.2 kWp

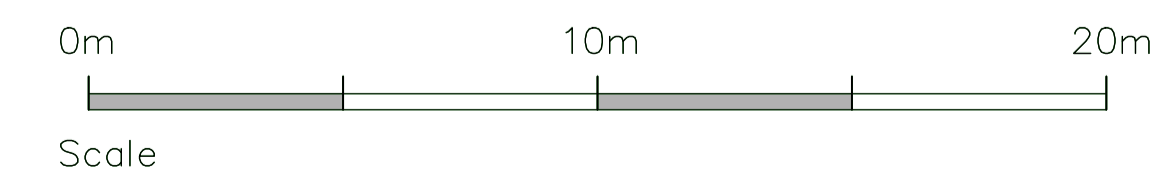
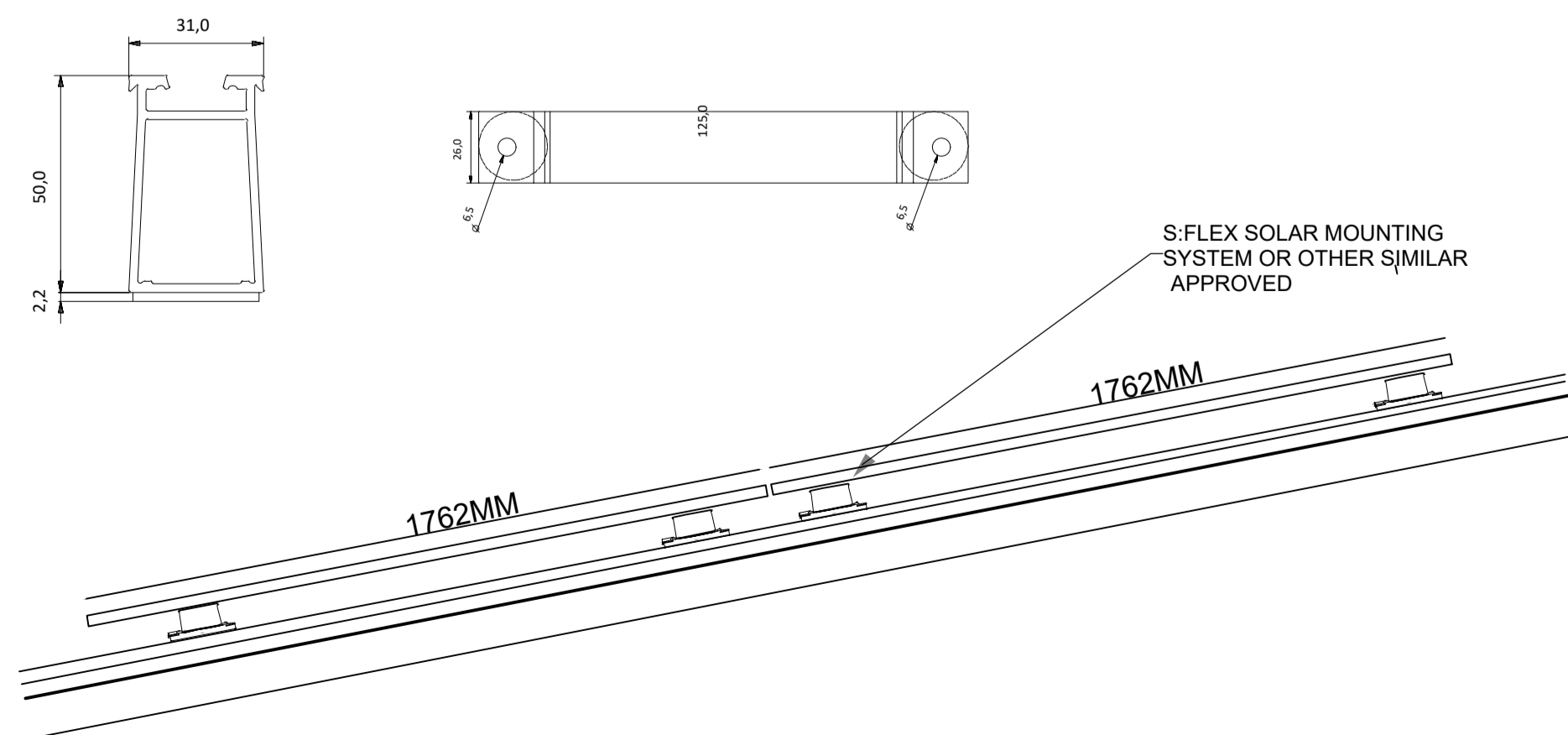


PV Module Trina Solar 425W  
 Dimension 1762 mm x 1134mm

**TYPICAL MOUNTING DETAIL - PITCHED ROOF**



**SIDE SECTION - PROPOSED PV MODULES FIXING DETAILS FOR PITCHED ROOF**



SOLAR SURVEYS LTD  
 24, Potterhill Road  
 Glasgow  
 United Kingdom  
 EMAIL: [info@solarsurveys.co.uk](mailto:info@solarsurveys.co.uk)  
<https://solarsurveys.co.uk>



Smiths Fitted Furniture Ltd Unit B 217 High Street Viewesley West Drayton UB7 7QN Proposed Roof Layout		DRAWING NUMBER R9108-SNR-23-E-1001	
DRAWN FK	CHECKED DS	REVISION P01	DATE 23/03/2026
SCALE 1:150 @ A1			
FOR TENDER <input type="checkbox"/>	CONSTRUCTION <input type="checkbox"/>		
FOR APPROVAL <input checked="" type="checkbox"/>	AS INSTALLED <input type="checkbox"/>		