

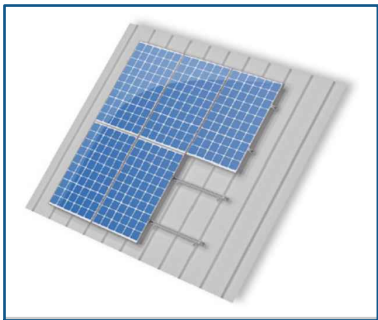
NOTES.

System size = 95.2 kWp  
 Total numbers of Modules = 224  
 Each PV Modules Output = 425 W  
 Total PV = 95.2 kWp

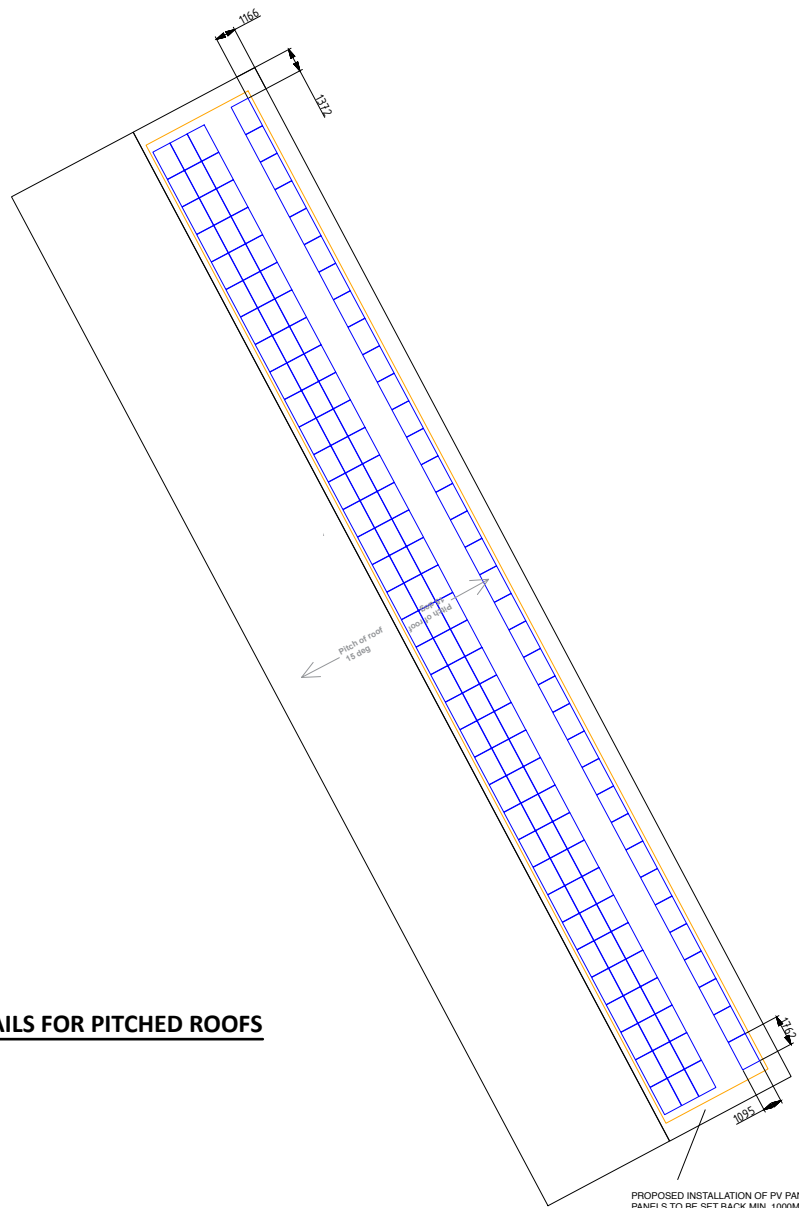
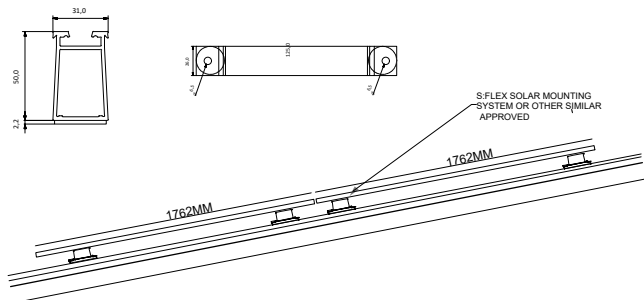


PV Module Trina Solar 425W  
 Dimension 1762 mm x 1134mm

**TYPICAL MOUNTING DETAIL - PITCHED ROOF**



**SIDE SECTION - PROPOSED PV MODULES FIXING DETAILS FOR PITCHED ROOFS**



PROPOSED INSTALLATION OF PV PANEL ARRAYS TO PITCHED ROOF.  
 PANELS TO BE SET BACK MIN 100MM FROM ROOF EDGES.  
 PANELS SHALL NOT PROJECT MORE THAN 200MM ABOVE THE PLANE OF THE PITCHED ROOF.  
 PANELS POSITIONED TO MINIMISE VISUAL IMPACT.

SOLAR SURVEYS LTD  
 24, Potterhill Road  
 Glasgow  
 United Kingdom  
 EMAIL: [info@solarsurveys.co.uk](mailto:info@solarsurveys.co.uk)  
<https://solarsurveys.co.uk>



217A High Street Viewsley West Drayton UB7 7GN Proposed Roof Layout	DRAWING NUMBER R9108-SNR-23-E-1001	
	DRAWN FK	CHECKED DS
SCALE 1:150 @ A1	REVISION P02	DATE 09/04/2026
FOR TENDER <input type="checkbox"/>	CONSTRUCTION <input type="checkbox"/>	
FOR APPROVAL <input checked="" type="checkbox"/>	AS INSTALLED <input type="checkbox"/>	