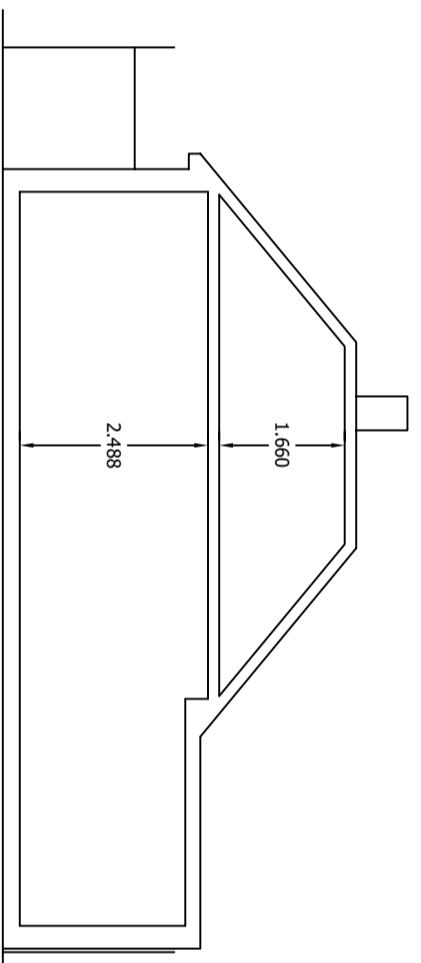
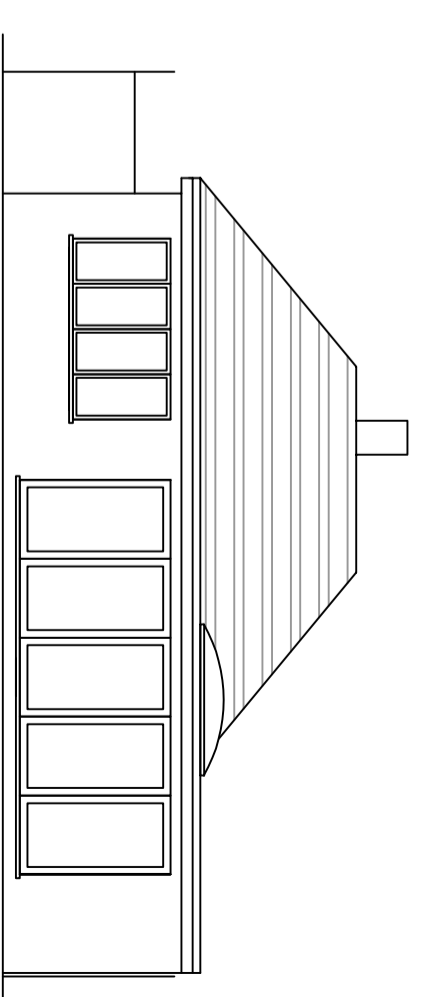


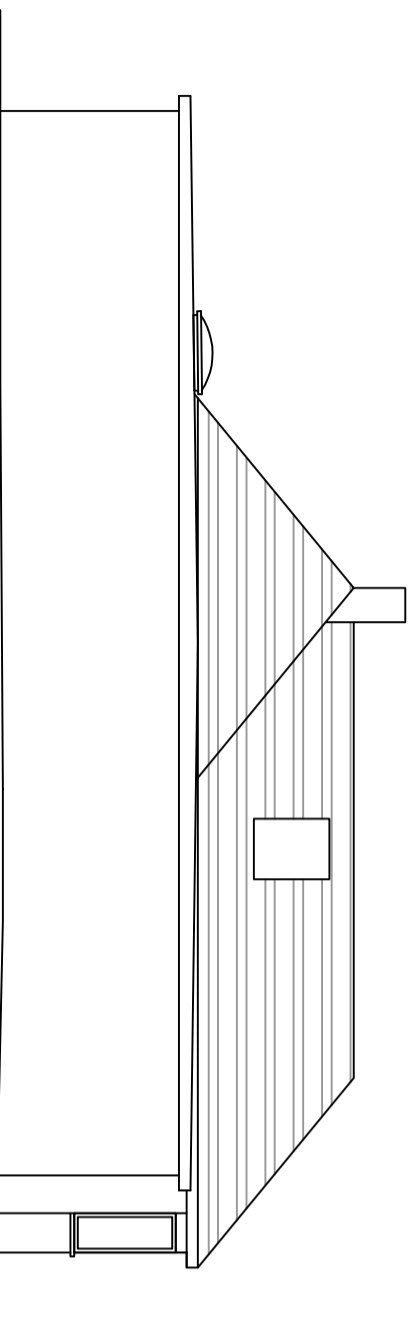
Proposed Rear Elevation



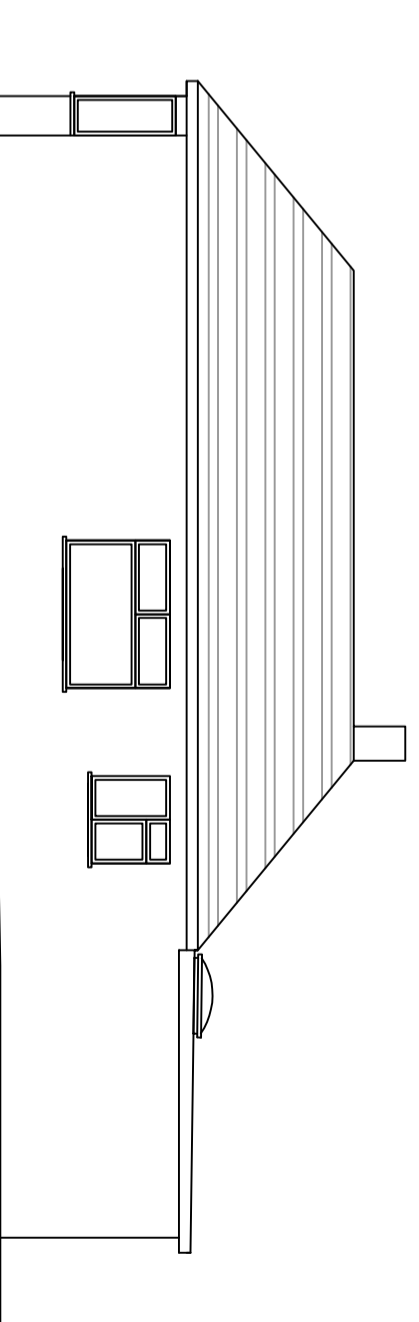
Proposed Cross Section



Proposed Rear Elevation



Proposed Side Elevation



Proposed Side Elevation

Drawing: Proposed Elevations Scale: 1:100 (A3)

Site: 117 Linden Ave, Ruislip, HA4 8TY

Client: Sushobhit Solanki

Page 6 of 9 Rev 1

Mar 2026



SCALE 1:100