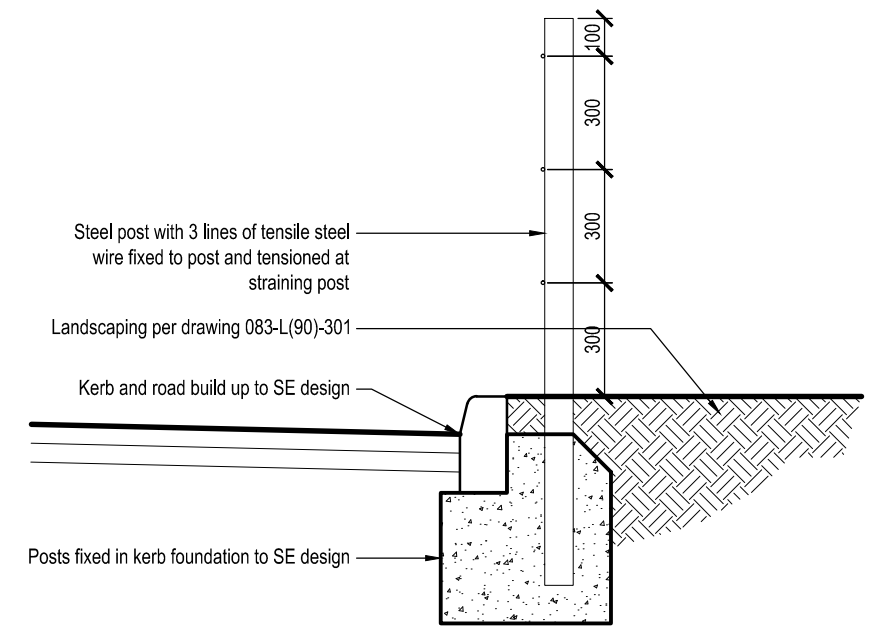
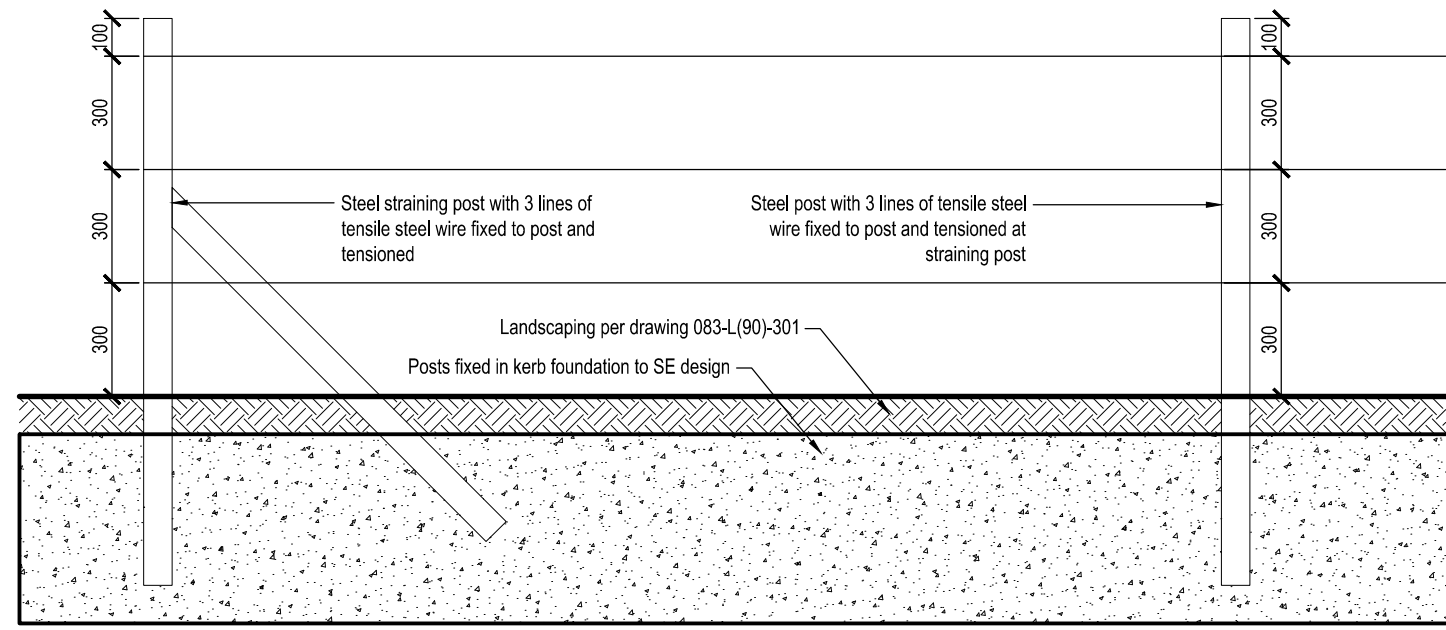


Please do not scale from this drawing. If in doubt, ask. This drawing is the property of UNUM Partnership Ltd. and must not be reproduced, copied or disclosed in any form, other than for the purpose of this project.

Revision	Date	By
P1 1. P1 issue	26.02.18	GB



4 Newton Place
Glasgow, G3 7PR t. 0141 353 2745

UNUM PARTNERSHIP
CHARTERED ARCHITECTS

PRELIMINARY

Client

Grove Developments

Project Title

Proposed Hotel at
T2 Heathrow

Drawing Title

Detail fence at perimeter of
Delivery area

Date	Scale	Drawn	Checked	A3
Feb 18	1:20	GB	EB	

Drawing No.	Rev
083-A(90)-001	P1