

1.8 M HIGH CLOSE BOARDED TIMBER FENCE WITH REFERENCE IMAGE SCALE 1:50

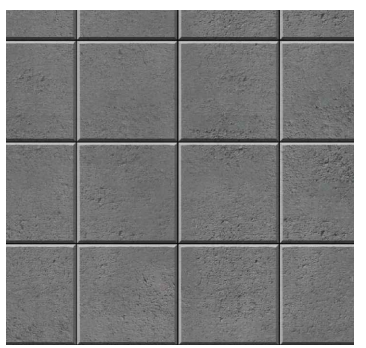


CHANNEL DRAIN (9)

- NOTES**
- Dimensions are not to be scaled from this drawing by contractors. The contractor is requested to check all dimensions before the work started.
 - Report any discrepancies to the client or architect before undertaking the work described in the drawings.
 - Dimensions are approximate site dimensions and are to be verified by the contractor on site before any fabrication/site works i.e foundations etc occur.
 - Contractor is responsible for all temporary propping to existing structure.



PERMEABLE PAVING (Brett Alpha Flow) (1)



PERMEABLE PAVING AT PATIO (4)



GRASS (Rolawn Luxury Turf) (5)



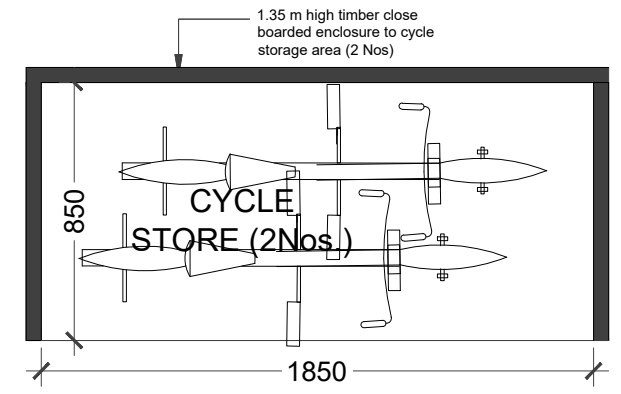
CHERRY TREE (Bing) (6)



Zappi multiphase, car chargers With selectable power settings of 7kW and 22kW (8)



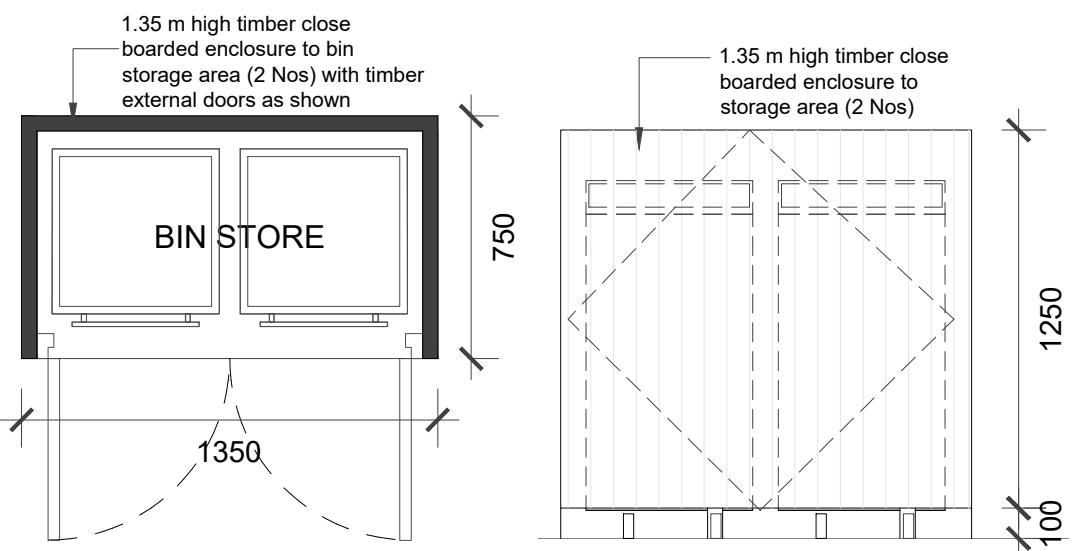
FLOWERBED (Alyssum) (7)



TYPICAL CYCLE STORAGE PLAN SCALE 1:25



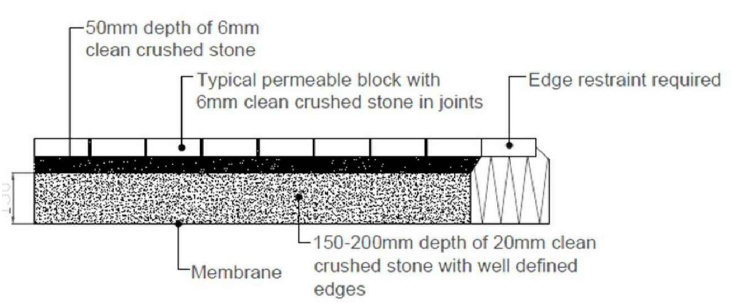
CYCLE STORE (3)



TYPICAL BIN STORAGE PLAN & ELEVATION SCALE 1:25



COVERED BIN STORE (2)



PAVING BUILT-UP DETAIL

| REVISIONS | | | |
|-----------|-------------|------|----|
| NO | DESCRIPTION | DATE | BY |
| | | | |
| | | | |
| | | | |
| | | | |
| | | | |
| | | | |
| | | | |
| | | | |

DoC PLANNING

DE ARCHITECTURAL CONSULT.LTD
 M: 07824773079, 07869580774
 E: design.endeavour@gmail.com

Project: **24 WHEATLEY CRESCENT HAYES**
 LONDON, UB3 2JF
 Title: **PROPOSED SITE PLAN**

| | | | |
|--------------------|-------------------------|-----------|--------------|
| Scale: As shown@A3 | Drawn: AS | Approved: | Date: OCT-25 |
| Job No: DAC-416/25 | Drawing No: DoC-24WC-01 | Rev: | |