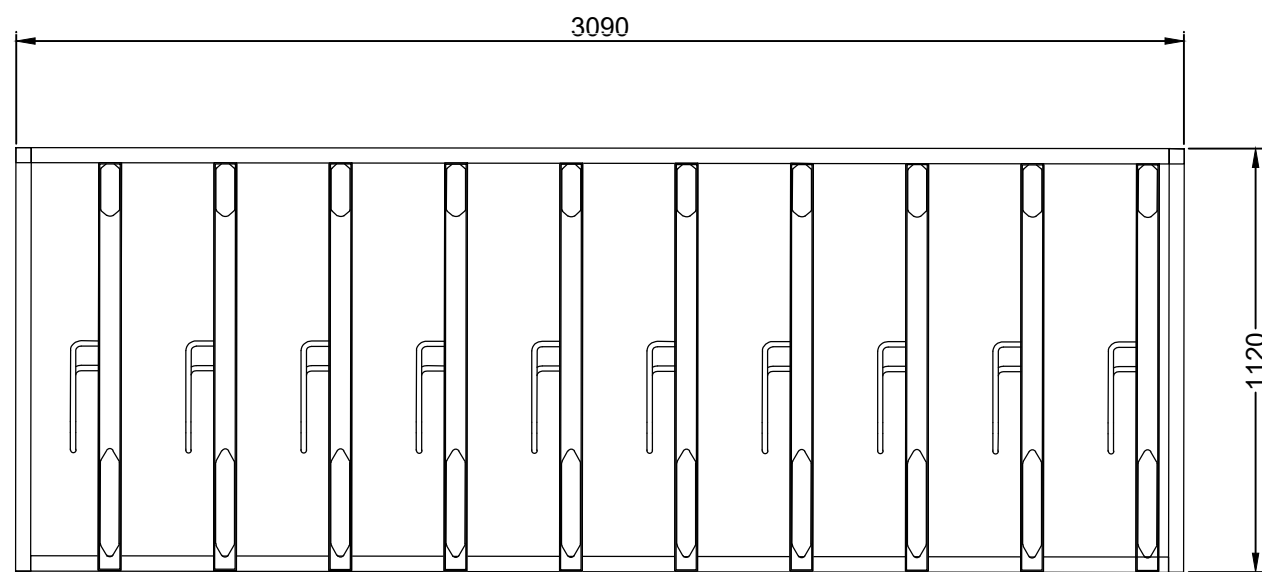
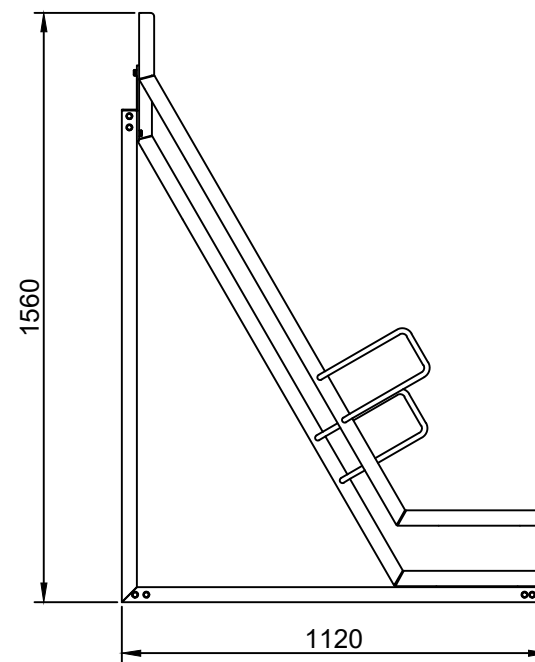


Cycle Rack Locations (lower floor basement), 1:200 @ A3



Plan (10 Bikes), 1:20 @A3



FalcoVert-Pro Cycle Rack, Side Elevation, 1:20 @ A3



FalcoVert-Pro Cycle Rack



Notes:

do not scale:
detailed drawings and larger scale drawings take precedence. Figured dimensions only are to be taken from this drawing.

dimensions:
All building and site dimensions, levels and sewer invert levels at connection points are to be checked and verified on site by the contractor before the commencement of works. All dimensions are to be checked prior to the placement of orders for materials or the fabrication of work and any discrepancy, omission or error is to be reported to the Architect immediately for verification.

specification:
The Contractor is to comply with current Building Legislation, British Standard Specifications, Building Regulations etc. Whether or not specifically stated on this drawing. This drawing must be checked against and read in conjunction with any structural or other relevant specialist and design documentation provided.

revisions:

PLANNING

client:
H Mountley

project:
Capital Court
Uxbridge
UB8 1AB

description:
Cycle store details



head office:
the old stone masons, 10 st johns st,
abergavenny, monmouthshire. np7 5rt
tel: 01873 851125 fax: 01873 851127

newport:
first floor, 5 gold tops,
newport, south wales. np20 4pg
tel: 01633 245020

e: mail: info@jdwarehitects.co.uk
w: www.jdwarehitects.co.uk

drawn: JDW scale: 1:20/1:200 @A3
date: Sep 25 sheet of:

job drwg. no: **jw1234 - 121 (03)** rev: