

NOTE:
ALL VERTICAL PIPEWORK CONTAINED IN BOXED-INS ARE TO BE PROVIDED WITH A REMOVABLE ACCESS PANEL APPROX 1200mm FFL IN ORDER TO REACH RODDING ACCESS DOOR. SUGGESTED ACCESS PANEL SIZE IN BOXING - 300mm X 300mm

GRADIENT OF PIPES
(EXCEPT FROM PLANT/BOILER ROOMS WHICH ARE VARIABLE)

- WP @ HL = GRADIENT 1:60
- WP @ LL = GRADIENT 1:60
- SP @ HL = GRADIENT 1:40
- SP @ LL = GRADIENT 1:40
- VP @ HL = GRADIENT 1:200
- RWP @ HL = GRADIENT 1:60-1:80

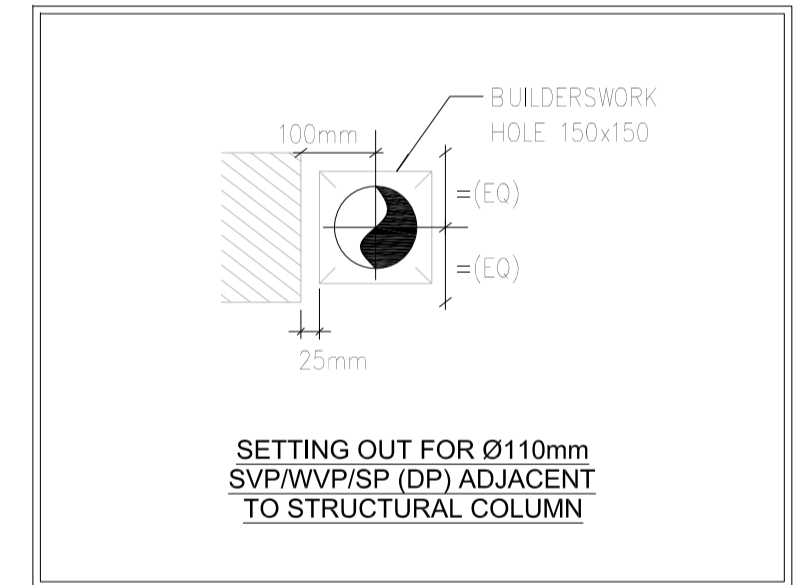
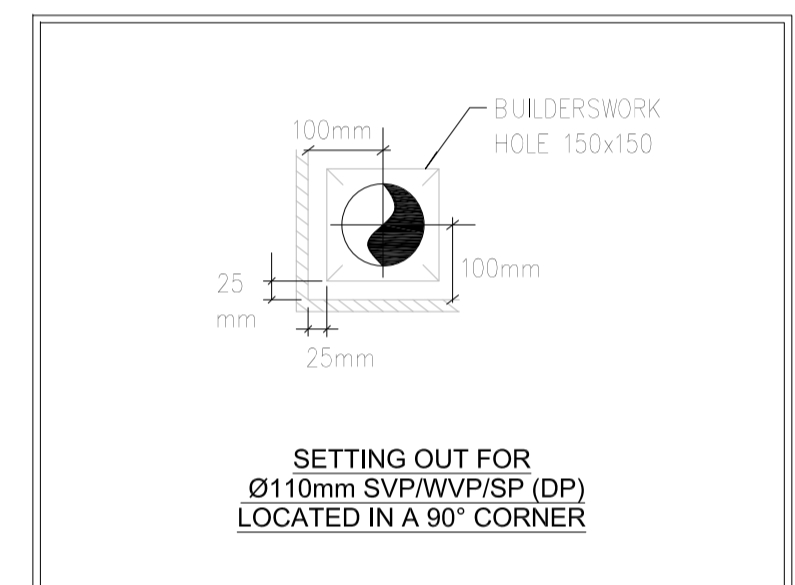
THESE GRADIENTS GENERALLY WILL APPLY SUBJECT TO ANY SPECIFIC GRADIENTS SHOWN ON OUR DRAWINGS.

PERMITTED MAXIMUM RUN (MM) TO A WASH BASIN

- 32mm dia - 1.7M Max Run
- 40mm dia - up to 4.0M Max Run
- 50mm dia - above 4.0M Run

- GENERAL NOTES:**
- THIS DRAWING SHALL BE READ IN CONJUNCTION WITH THE MEP PERFORMANCE SPECIFICATION AND ALL RELEVANT ARCHITECTS AND ENGINEERS DRAWINGS.
 - FIRE COLLARS TO BE PROVIDED ON PIPES THROUGH COMPARTMENTS BY FIRE STOPPING CONTRACTOR

- LEGEND:**
- SVP SOIL VENT PIPE
 - WVP WASTE VENT PIPE
 - VP MAIN VENT PIPE
 - SP SOIL PIPE
 - WP WASTE PIPE
 - TB TO BELOW
 - TA TO ABOVE
 - FB FROM ABOVE
 - FA FROM ABOVE
 - HL HIGH LEVEL
 - LL LOW LEVEL
 - RE RODDING EYE
 - AP ACCESS PIPE ON STACK @ 1200mm AFFL VIA IPS
 - SS STUB STACK
 - VENT PIPEWORK
 - DRAINAGE PIPEWORK



STAGE 5

REV	DETAILS	DATE
C1	DT COMMENTS INCORPORATED	3.12.24
P2	MINOR COMMENTS MADE TO DRAWING	19.11.24
P1	ISSUE FOR APPROVAL	28.10.24

Relabond
BUILDING SERVICES
Unit 35 Oakwood Hill Industrial Estate, Oakwood Hill, Langthorpe, Essex SS16 1TZ
www.relabond.com 0206 506 6280

Scale	1:50 @ A1	Drawn by	Brett Williams
Date	14.10.2024	Checked by	Cliff Chapman

Project
HILLINGDON HOSPITAL - THE FURZE
NHS - FOUNDATION TRUST

Title
MECHANICAL SERVICES
FIRST FLOOR - CLINICAL ADMIN
ABOVE GROUND DRAINAGE SERVICES

Drawing No.	THHFP1-REL-ZZ-01-DR-P-40002	Revision	C1
-------------	-----------------------------	----------	----

ISSUED FOR CONSTRUCTION