

NOTE:
 ALL VERTICAL PIPEWORK CONTAINED IN BOXED-INS ARE TO BE PROVIDED WITH A REMOVABLE ACCESS PANEL APPROX 1200mm FFL IN ORDER TO REACH RODDING ACCESS DOOR. SUGGESTED ACCESS PANEL SIZE IN BOXING - 300mm X 300mm

GRADIENT OF PIPES
 (EXCEPT FROM PLANT/BOILER ROOMS WHICH ARE VARIABLE)

WP @ HL = GRADIENT 1:60
 WP @ LL = GRADIENT 1:60
 SP @ HL = GRADIENT 1:40
 SP @ LL = GRADIENT 1:40
 VP @ HL = GRADIENT 1:200
 RWP @ HL = GRADIENT 1:60-1:80

THESE GRADIENTS GENERALLY WILL APPLY SUBJECT TO ANY SPECIFIC GRADIENTS SHOWN ON OUR DRAWINGS.

PERMITTED MAXIMUM RUN (MM) TO A WASH BASIN

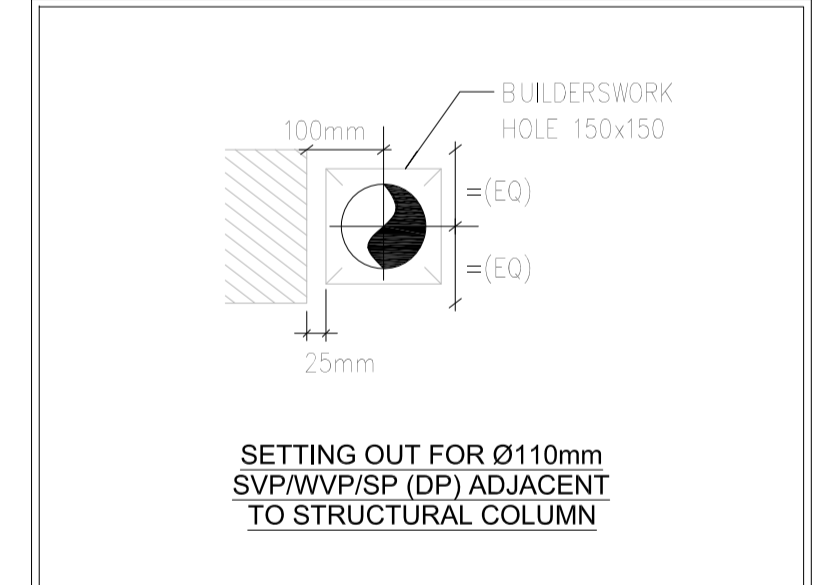
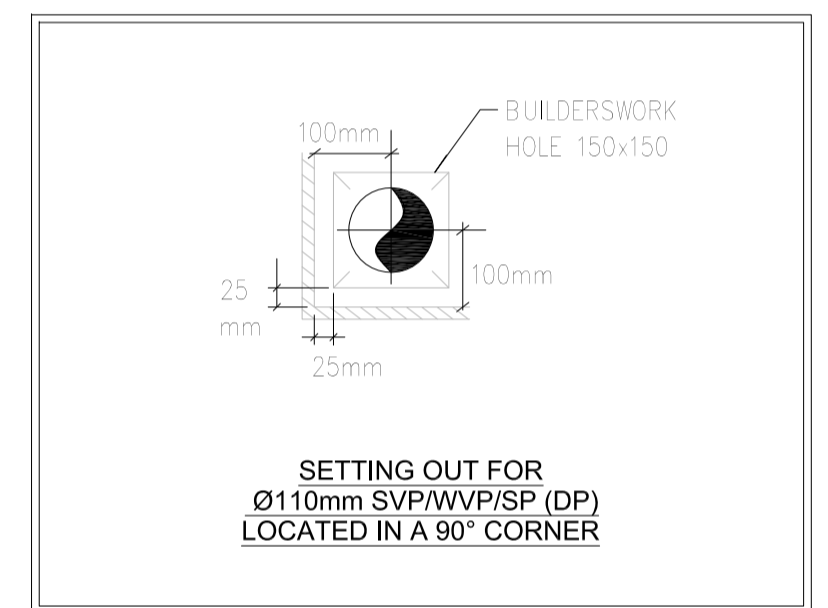
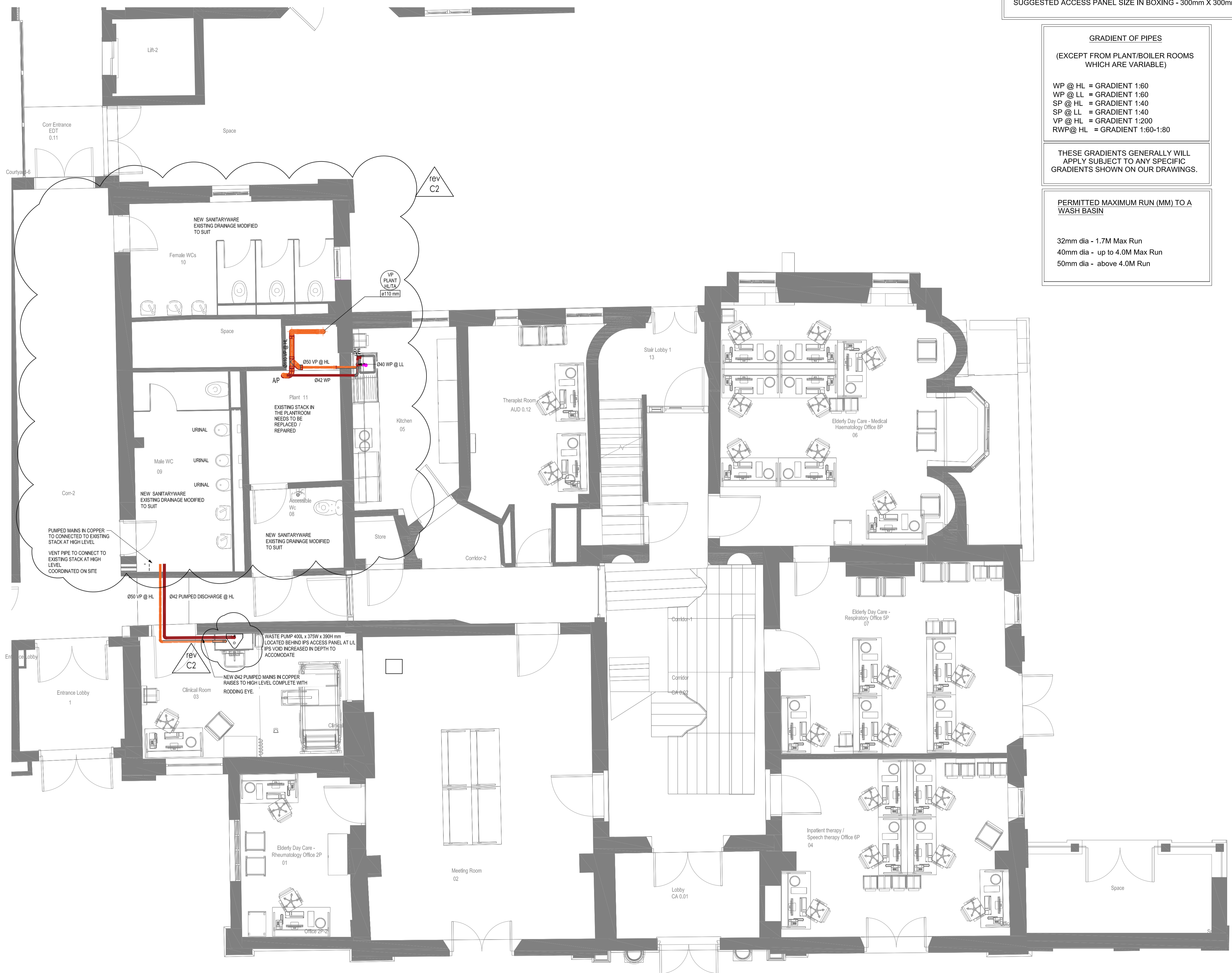
32mm dia - 1.7M Max Run
 40mm dia - up to 4.0M Max Run
 50mm dia - above 4.0M Run

GENERAL NOTES:

- THIS DRAWING SHALL BE READ IN CONJUNCTION WITH THE MEP PERFORMANCE SPECIFICATION AND ALL RELEVANT ARCHITECTS AND ENGINEERS DRAWINGS.
- FIRE COLLARS TO BE PROVIDED ON PIPES THROUGH COMPARTMENTS BY FIRE STOPPING CONTRACTOR

LEGEND:

- SVP SOIL VENT PIPE
- WVP WASTE VENT PIPE
- VP MAIN VENT PIPE
- SP SOIL PIPE
- WP WASTE PIPE
- TB TO BELOW
- TA TO ABOVE
- FB FROM BELOW
- FA FROM ABOVE
- HL HIGH LEVEL
- LL LOW LEVEL
- RIE RODDING EYE
- A/P ACCESS PIPE ON STACK @ 1200mm AFFL VIA IPS
- SS STUB STACK
- ORANGE VENT PIPEWORK
- RED DRAINAGE PIPEWORK



STAGE 5

REV	DETAILS	DATE
C2	DESIGN CHANGES INCORPORATED	04.04.25
C1	DT COMMENTS INCORPORATED	03.12.24
P2	CPW COMMENTS INCORPORATED	19.11.24
P1	ISSUE FOR APPROVAL	29.10.24

Relabond
 BUILDING SERVICES
 Unit 35 Oakwood Hill Industrial Estate, Oakwood Hill, Loughlin, Essex SS16 3JZ
 www.relabond.com
 0208 558 6900

Scale	1:50 @ A1	Drawn by	Brett Williams
Date	14.10.2024	Checked by	Cliff Chapman

Project
 HILLINGDON HOSPITAL - THE FURZE
 NHS - FOUNDATION TRUST

Title
 MECHANICAL SERVICES
 GROUND FLOOR - CLINICAL ADMIN
 ABOVE GROUND DRAINAGE SERVICES

Drawing No.	THHFP1-REL-ZZ-00-DR-P-40001	Revision	C2
-------------	-----------------------------	----------	----

ISSUED FOR CONSTRUCTION