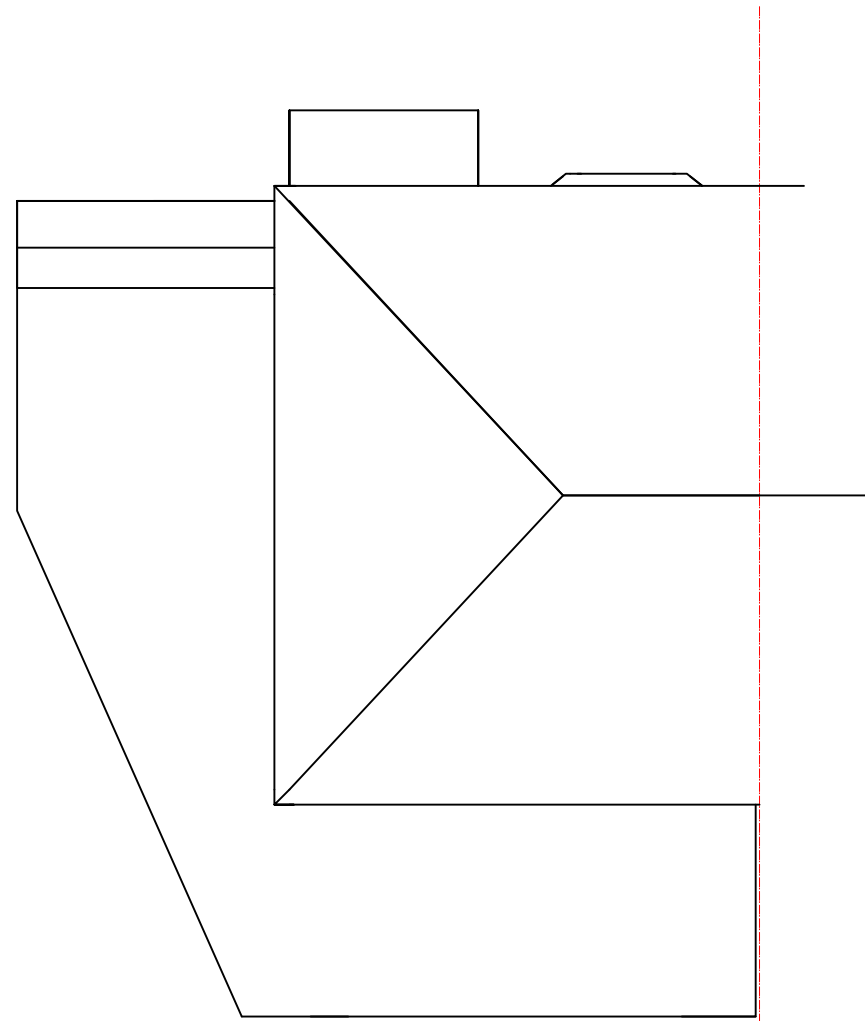
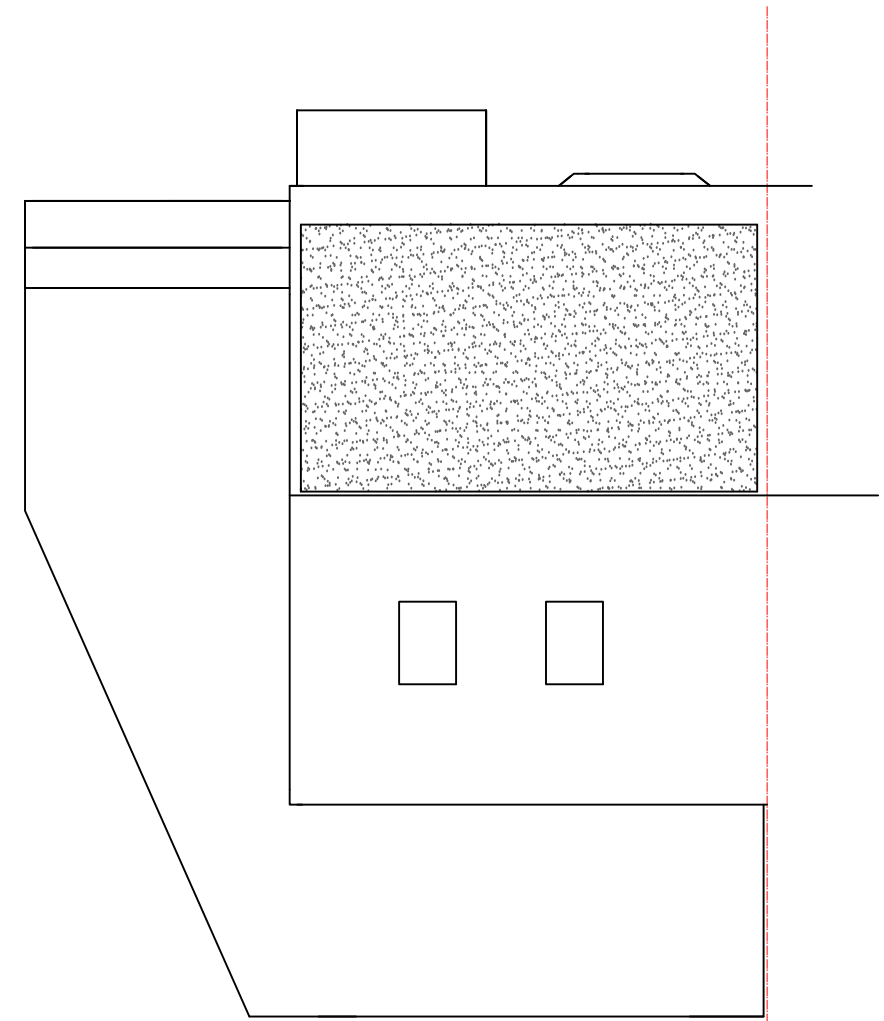


0 1.0 2.0 3.0 4 5 6 7 8 9 10

SCALE - 1 : 100.



EXISTING ROOF PLAN



PROPOSED ROOF PLAN