

01 PROPOSED PLAN
SCALE 1:50

GENERAL NOTES

- ALL DIMENSIONS IN MILLIMETRES.
- DO NOT SCALE FROM DRAWINGS.
- CONTRACTOR TO CHECK ALL DIMENSIONS ON SITE BEFORE COMMENCING WORK.
- THIS IS A LIGHTWEIGHT NON-HABITABLE STRUCTURE.
- ALL FIXINGS TO BE STAINLESS STEEL OR GALVANISED.
- GLASS TO COMPLY WITH BS EN 12150 / 14449.
- WORKS TO COMPLY WITH BUILDING REGULATIONS PART A & K.

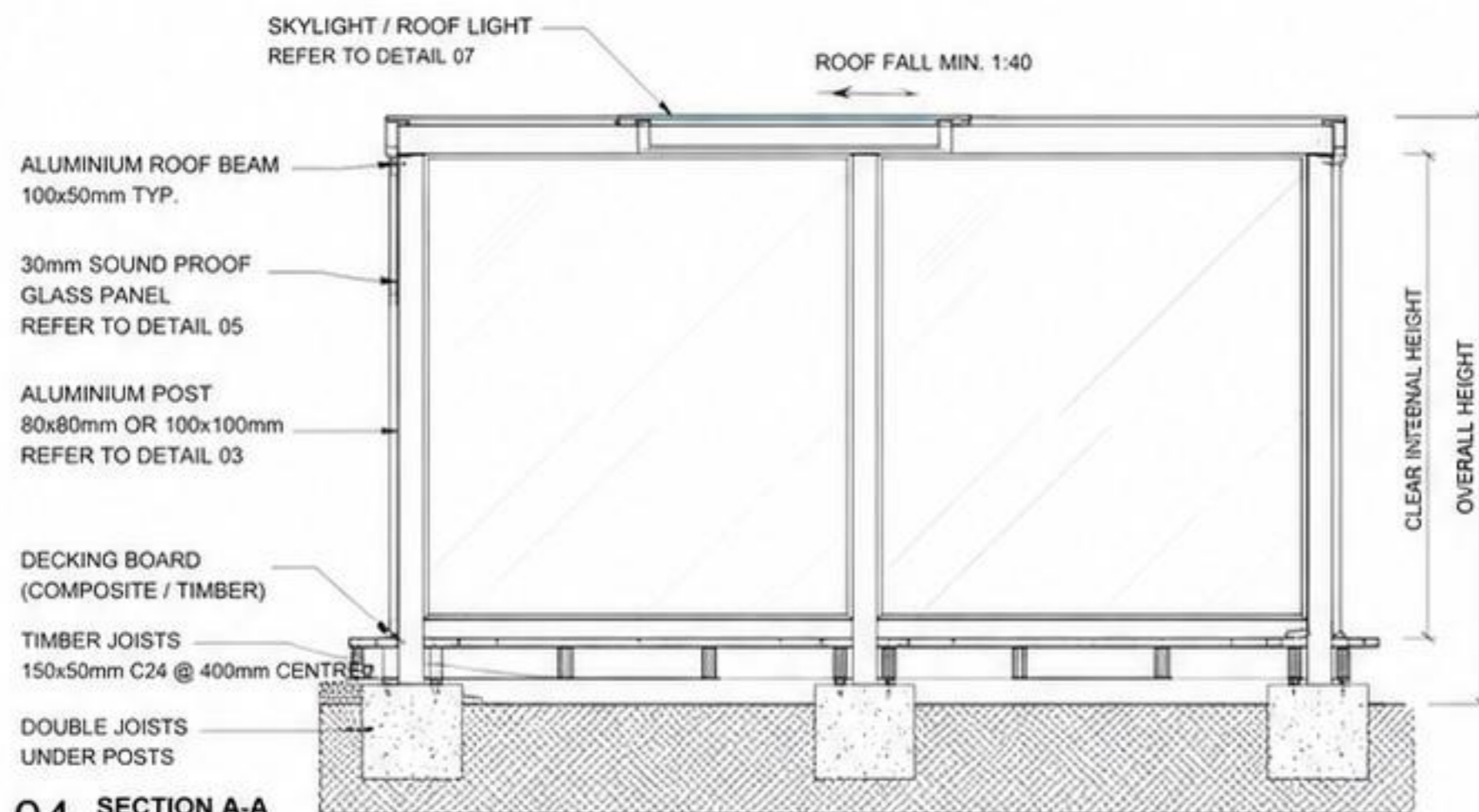
02 FOUNDATION LAYOUT (OPTION B)

SCALE 1:50



NOTE:

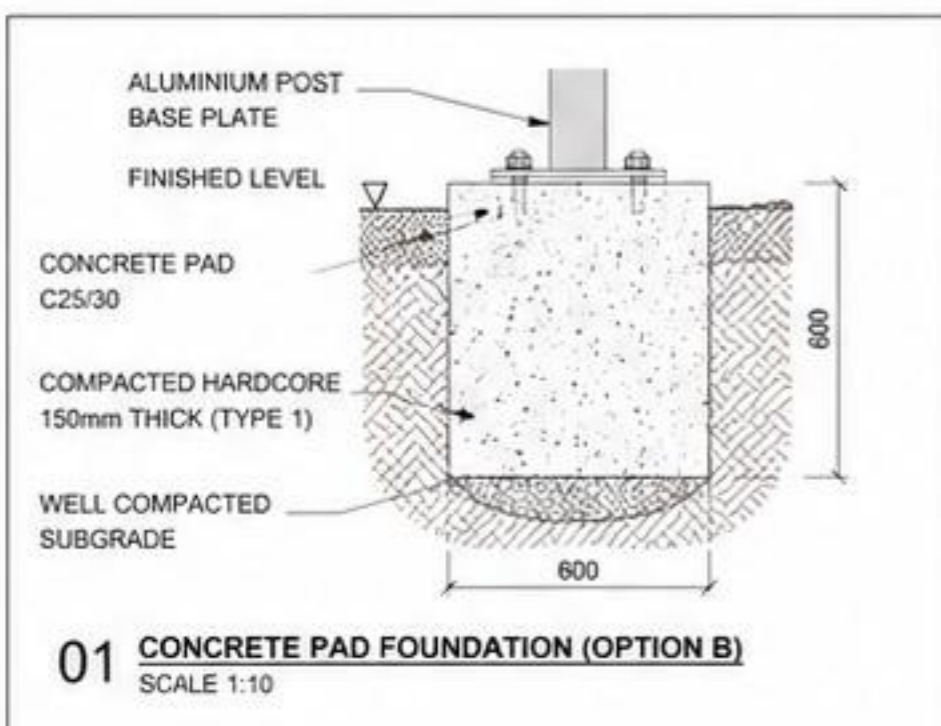
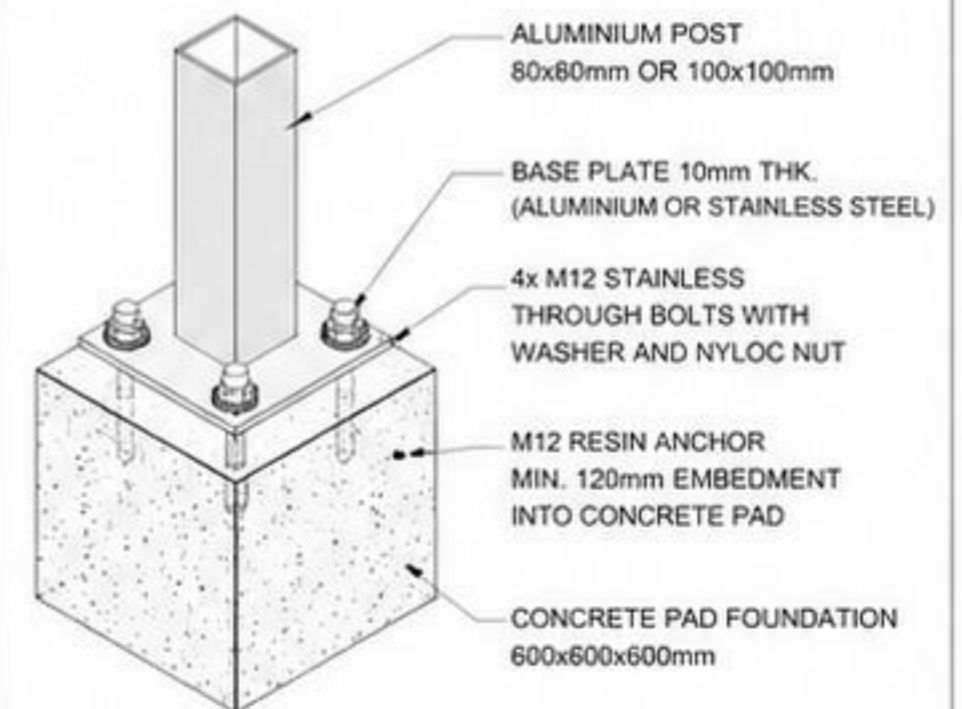
FOUNDATION SIZE INDICATIVE ONLY. TO BE CONFIRMED ON SITE BY COMPETENT PERSON BASED ON GROUND CONDITIONS.



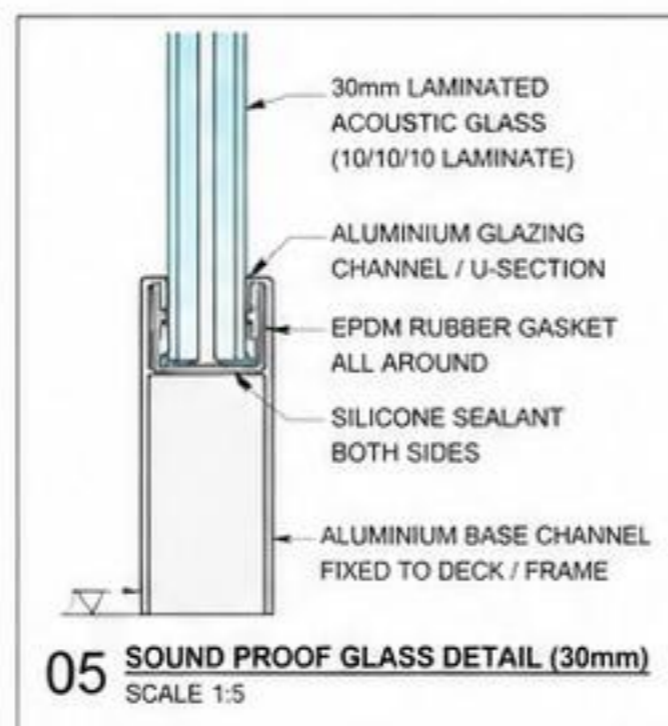
04 SECTION A-A
SCALE 1:20

03 ALUMINIUM POST BASE CONNECTION

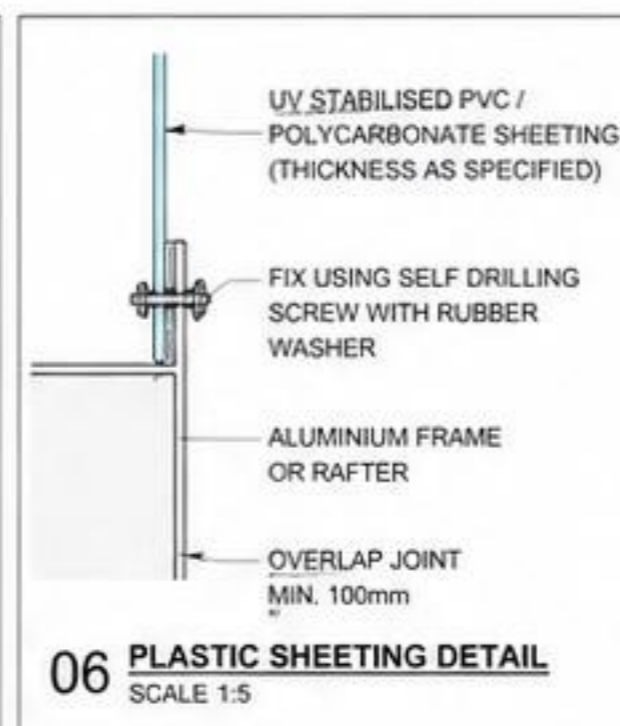
SCALE 1:10



01 CONCRETE PAD FOUNDATION (OPTION B)
SCALE 1:10



05 SOUND PROOF GLASS DETAIL (30mm)
SCALE 1:5



06 PLASTIC SHEETING DETAIL
SCALE 1:5



07 ROOF / SKYLIGHT DETAIL
SCALE 1:5