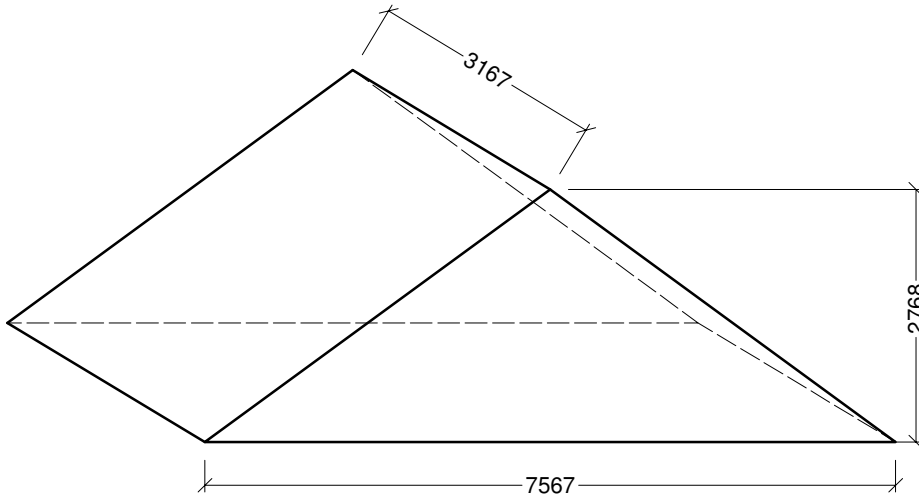


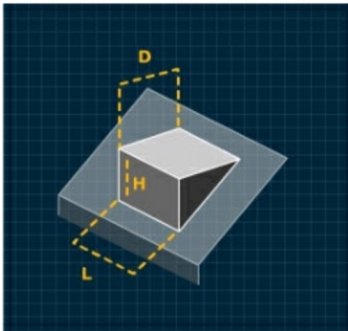
ROOF VOLUME CALCULATIONS



APPROVED
SIDE EXTENSION
ROOF VOLUME

33.17m³

Dormer window — flat roof



Height (metres)

Depth (metres)

Length (metres)

Total Volume:

16.28

Calculate Volume

Reset

TOTAL VOLUME

49.45m³