

Historical Mapping Legends

Ordnance Survey County Series 1:10,560

	Gravel Pit		Sand Pit		Other Pits
	Quarry		Shingle		Orchard
	Osiers		Reeds		Marsh
	Mixed Wood		Deciduous		Brushwood
	Fir		Furze		Rough Pasture
	Arrow denotes flow of water		Trigonometrical Station		
	Site of Antiquities		Bench Mark		
	Pump, Guide Post, Signal Post		Well, Spring, Boundary Post		
	• 285 Surface Level				
	Sketched Contour		Instrumental Contour		
	Main Roads		Minor Roads		
	Sunken Road		Raised Road		
	Road over Railway		Railway over River		
	Railway over Road		Level Crossing		
	Road over River or Canal		Road over Stream		
	Road over Stream				
	County Boundary (Geographical)				
	County & Civil Parish Boundary				
	Administrative County & Civil Parish Boundary				
	County Borough Boundary (England)				
	County Burgh Boundary (Scotland)				
	Rural District Boundary				
	Civil Parish Boundary				

Ordnance Survey Plan 1:10,000

	Chalk Pit, Clay Pit or Quarry		Gravel Pit
	Sand Pit		Disused Pit or Quarry
	Refuse or Slag Heap		Lake, Loch or Pond
	Dunes		Boulders
	Coniferous Trees		Non-Coniferous Trees
	Orchard		Scrub
	Coppice		Rough Grassland
	Bracken		Heath
	Marsh		Reeds
	Saltings		Shingle
	Building		Sand
	Glasshouse		Pylon
	Sloping Masonry		Electricity Transmission Line
	Pole		
	Cutting		Embankment
	Standard Gauge Multiple Track		Standard Gauge Single Track
	Siding, Tramway or Mineral Line		Narrow Gauge
	Geographical County		
	Administrative County, County Borough or County of City		
	Municipal Borough, Urban or Rural District, Burgh or District Council		
	Borough, Burgh or County Constituency Shown only when not coincident with other boundaries		
	Civil Parish Shown alternately when coincidence of boundaries occurs		
	BP, BS Boundary Post or Stone		Pol Sta Police Station
	CH Church		PO Post Office
	CH Club House		PC Public Convenience
	F E Sta Fire Engine Station		PH Public House
	FB Foot Bridge		SB Signal Box
	Fn Fountain		Spr Spring
	GP Guide Post		TCB Telephone Call Box
	MP Mile Post		TCP Telephone Call Post
	MS Mile Stone		W Well
	Area of wooded vegetation		Non-coniferous trees
	Non-coniferous trees (scattered)		Coniferous trees
	Coniferous trees (scattered)		Positioned tree
	Orchard		Coppice or Osiers
	Rough Grassland		Heath
	Scrub		Marsh, Salt Marsh or Reeds
	Water feature		Flow arrows
	MHW(S) Mean high water (springs)		MLW(S) Mean low water (springs)
	Telephone line (where shown)		Electricity transmission line (with poles)
	BM 123.45 m Bench mark (where shown)		Triangulation station
	Point feature (e.g. Guide Post or Mile Stone)		Pylon, flare stack or lighting tower
	Site of (antiquity)		Glasshouse
	General Building		Important Building

1:10,000 Raster Mapping

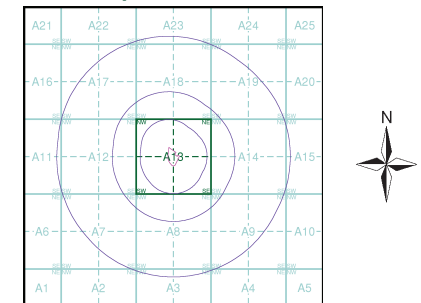
	Gravel Pit		Refuse tip or slag heap
	Rock		Rock (scattered)
	Boulders		Boulders (scattered)
	Shingle		Mud
	Sand		Sand Pit
	Slopes		Top of cliff
	General detail		Underground detail
	Overhead detail		Narrow gauge railway
	Multi-track railway		Single track railway
	County boundary (England only)		Civil, parish or community boundary
	District, Unitary, Metropolitan, London Borough boundary		Constituency boundary
	Area of wooded vegetation		Non-coniferous trees
	Non-coniferous trees (scattered)		Coniferous trees
	Coniferous trees (scattered)		Positioned tree
	Orchard		Coppice or Osiers
	Rough Grassland		Heath
	Scrub		Marsh, Salt Marsh or Reeds
	Water feature		Flow arrows
	MHW(S) Mean high water (springs)		MLW(S) Mean low water (springs)
	Telephone line (where shown)		Electricity transmission line (with poles)
	BM 123.45 m Bench mark (where shown)		Triangulation station
	Point feature (e.g. Guide Post or Mile Stone)		Pylon, flare stack or lighting tower
	Site of (antiquity)		Glasshouse
	General Building		Important Building



Historical Mapping & Photography included:

Mapping Type	Scale	Date	Pg
Middlesex	1:10,560	1868	3
Surrey	1:10,560	1871	4
Buckinghamshire	1:10,560	1881	5
Middlesex	1:10,560	1897	6
Buckinghamshire	1:10,560	1900	7
Middlesex	1:10,560	1920	8
Middlesex	1:10,560	1920	9
Buckinghamshire	1:10,560	1932	10
Middlesex	1:10,560	1935	11
Middlesex	1:10,560	1938	12
Middlesex	1:10,560	1938	13
Historical Aerial Photography	1:10,560	1948	14
Historical Aerial Photography	1:10,560	1948	15
Ordnance Survey Plan	1:10,000	1960	16
Ordnance Survey Plan	1:10,000	1965 - 1966	17
Ordnance Survey Plan	1:10,000	1970 - 1975	18
Ordnance Survey Plan	1:10,000	1975 - 1977	19
Ordnance Survey Plan	1:10,000	1985 - 1989	20
London	1:25,000	1985	21
Ordnance Survey Plan	1:10,000	1990 - 1995	22
10K Raster Mapping	1:10,000	2006	23
10K Raster Mapping	1:10,000	2013	24

Historical Map - Slice A



Order Details

Order Number: 46303056_1_1
 Customer Ref: J-M0167.00/MK001
 National Grid Reference: 509730, 180080
 Slice: A
 Site Area (Ha): 1.01
 Search Buffer (m): 1000

Site Details

Hayes Swimming Pool, Botwell Lane, HAYES, Middlesex, UB3 2BG



Tel: 0844 844 9952
 Fax: 0844 844 9951
 Web: www.envirocheck.co.uk

Russian Military Mapping Legends

1:5,000 and 1:10,000 mapping

a. Not drawn to scale b. Drawn to scale

	Government and Administrative Buildings		Military and Industrial Buildings
	Military and Communication Areas		Subway Entrance
	Fireproof Building		Prominent Fireproof Building
	Non-fireproof Building		Non-fireproof Building (non-dwelling)
	Factory, mill, and flour mill, with chimneys		Factory, mill, and flour mill, without chimneys
	Power Station, drawn to scale		Hydroelectric Power Station
	Radio Station, drawn to scale		Telephone Station, drawn to scale
	Abandoned Open-pit Mine or Quarry		Open-pit Salt Mine
	Pit		Oil Deposit or Well
	Oil Seepage		Fuel Storage Tanks
	Natural Gas Tank		Tailings Pile
	Bench Mark		Drill Hole
	Burial Mound		Triangulation Point on Burial Mound
	Single-track Railroad		Railroad and Station Building
	Coniferous Forest		Deciduous Forest
	Mixed Forest		Lawns
	Citrus Orchard		Wet Ground
	Scattered Vegetation		

243.8 Values for prominent elevations
 Numbers for spot elevations, depth soundings, contour lines, etc.
 0,2 Velocity of the current, width of river bed, depth of river
 Fractional terms: length and capacity of bridges; depth of fords and condition of the river bottom; height of forest and the diameter of trees

Russian Alphabet (For reference and phonetic interpretation of map text)

А а (A)	З з (Z)	П п (P)	Ч ч (CH)
Б б (B)	И и (I)	Р р (R)	Ш ш (SH)
В в (V)	Й й (Y)	С с (S)	Щ щ (SHCH)
Г г (G)	К к (K)	Т т (T)	Ъ (-)
Д д (D)	Л л (L)	У у (U)	Ы (Y)
Е е (E)	М м (M)	Ф ф (F)	Ь (')
Ё ё (YO)	Н н (N)	Х х (KH)	Э э (E)
Ж ж (ZH)	О о (O)	Ц ц (TS)	Ю ю (YU or IU)
			Я я (YA or IA)

1:25,000 mapping

a. Not drawn to scale b. Drawn to scale

	Government and Administrative Buildings		Military and Industrial Buildings
	Military and Communication Areas		Subway Entrance
	Partly Demolished Buildings		Demolished Buildings
	Built-Up Area with Fireproof Buildings Predominant		Built-Up Area with Non-Fireproof Buildings Predominant
	Individual Fireproof Building		Prominent Industrial Building
	Individual Dwelling, Fireproof		Ruins of an Individual Dwelling
	Factory or Mill Chimney		Factory or Mill with Chimney
	Factory or Mill without Chimney		Mine or Open Pit Mine
	Operating Shaft or Mine		Non-Operating Shaft or Mine
	Salt Mine		Tailings Pile
	Pit		Stone Quarry
	Gas Pump or Service Station		Fuel Storage or Natural Gas Tank
	Oil or Natural Gas Derrick		Small Hydroelectric Power Station
	Power Station		Transformer Station
	Cemetery		Burial Mound (height in metres)
	Triangulation Point on Burial Mound		Triangulation Point
	Bench Mark		Bench Mark (monumented)
	Telegraph Office		Telephone Station
	Radio Station		Radio Tower
	Airfield or Seaplane Base		Landing Strip
	Main Highway		Highway under Construction
	Improved Dirt Road (former truck road)		Steep Grade
	Small Bridge		Pipe (Culvert)
	Tunnel		Dismantled Railroad
	Double-track Railroad with First Class Station		Railroad Under Construction
	Shore Embankment		River or Ditch with Embankment
	Water Gauge		Direction and velocity of current
	Water Level Mark		Well
	Water Reservoir or Rain Water Pit		Spring
	Isobath with value		Heavy (Index) Contour Line
	Contour Line and Value		Half Contour Line
	Spot Elevation Value		Coniferous
	Deciduous		Mixed
	Scrub		

Key to Numbers on Mapping

TQ07_London

No.	Description
74	Factory (Artillery)
151	Factory (Radio Electronics)

TQ08_London

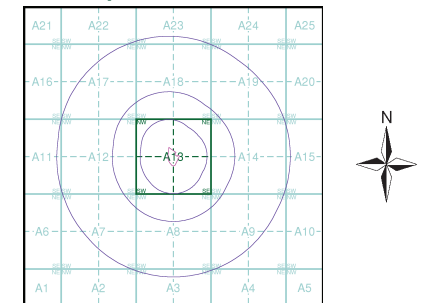
No.	Description
133	Factory (Plastics)
278	Warehouses (Use Unknown)



Historical Mapping & Photography included:

Mapping Type	Scale	Date	Pg
Middlesex	1:10,560	1868	3
Surrey	1:10,560	1871	4
Buckinghamshire	1:10,560	1881	5
Middlesex	1:10,560	1897	6
Buckinghamshire	1:10,560	1900	7
Middlesex	1:10,560	1920	8
Middlesex	1:10,560	1920	9
Buckinghamshire	1:10,560	1932	10
Middlesex	1:10,560	1935	11
Middlesex	1:10,560	1938	12
Middlesex	1:10,560	1938	13
Historical Aerial Photography	1:10,560	1948	14
Historical Aerial Photography	1:10,560	1948	15
Ordnance Survey Plan	1:10,000	1960	16
Ordnance Survey Plan	1:10,000	1965 - 1966	17
Ordnance Survey Plan	1:10,000	1970 - 1975	18
Ordnance Survey Plan	1:10,000	1975 - 1977	19
Ordnance Survey Plan	1:10,000	1985 - 1989	20
London	1:25,000	1985	21
Ordnance Survey Plan	1:10,000	1990 - 1995	22
10K Raster Mapping	1:10,000	2006	23
10K Raster Mapping	1:10,000	2013	24

Russian Map - Slice A



Order Details

Order Number: 46303056_1_1
 Customer Ref: J-M0167.00/MK001
 National Grid Reference: 509730, 180080
 Slice: A
 Site Area (Ha): 1.01
 Search Buffer (m): 1000

Site Details

Hayes Swimming Pool, Botwell Lane, HAYES, Middlesex, UB3 2BG



Tel: 0844 844 9952
 Fax: 0844 844 9951
 Web: www.envirocheck.co.uk



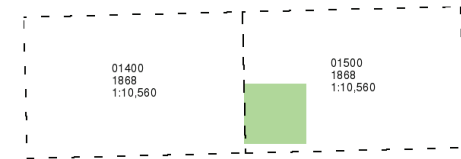
Middlesex

Published 1868

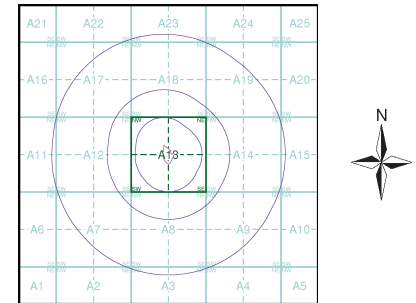
Source map scale - 1:10,560

The historical maps shown were reproduced from maps predominantly held at the scale adopted for England, Wales and Scotland in the 1840's. In 1854 the 1:2,500 scale was adopted for mapping urban areas; these maps were used to update the 1:10,560 maps. The published date given therefore is often some years later than the surveyed date. Before 1938, all OS maps were based on the Cassini Projection, with independent surveys of a single county or group of counties, giving rise to significant inaccuracies in outlying areas. In the late 1940's, a Provisional Edition was produced, which updated the 1:10,560 mapping from a number of sources. The maps appear unfinished - with all military camps and other strategic sites removed. These maps were initially overprinted with the National Grid. In 1970, the first 1:10,000 maps were produced using the Transverse Mercator Projection. The revision process continued until recently, with new editions appearing every 10 years or so for urban areas.

Map Name(s) and Date(s)



Historical Map - Slice A



Order Details

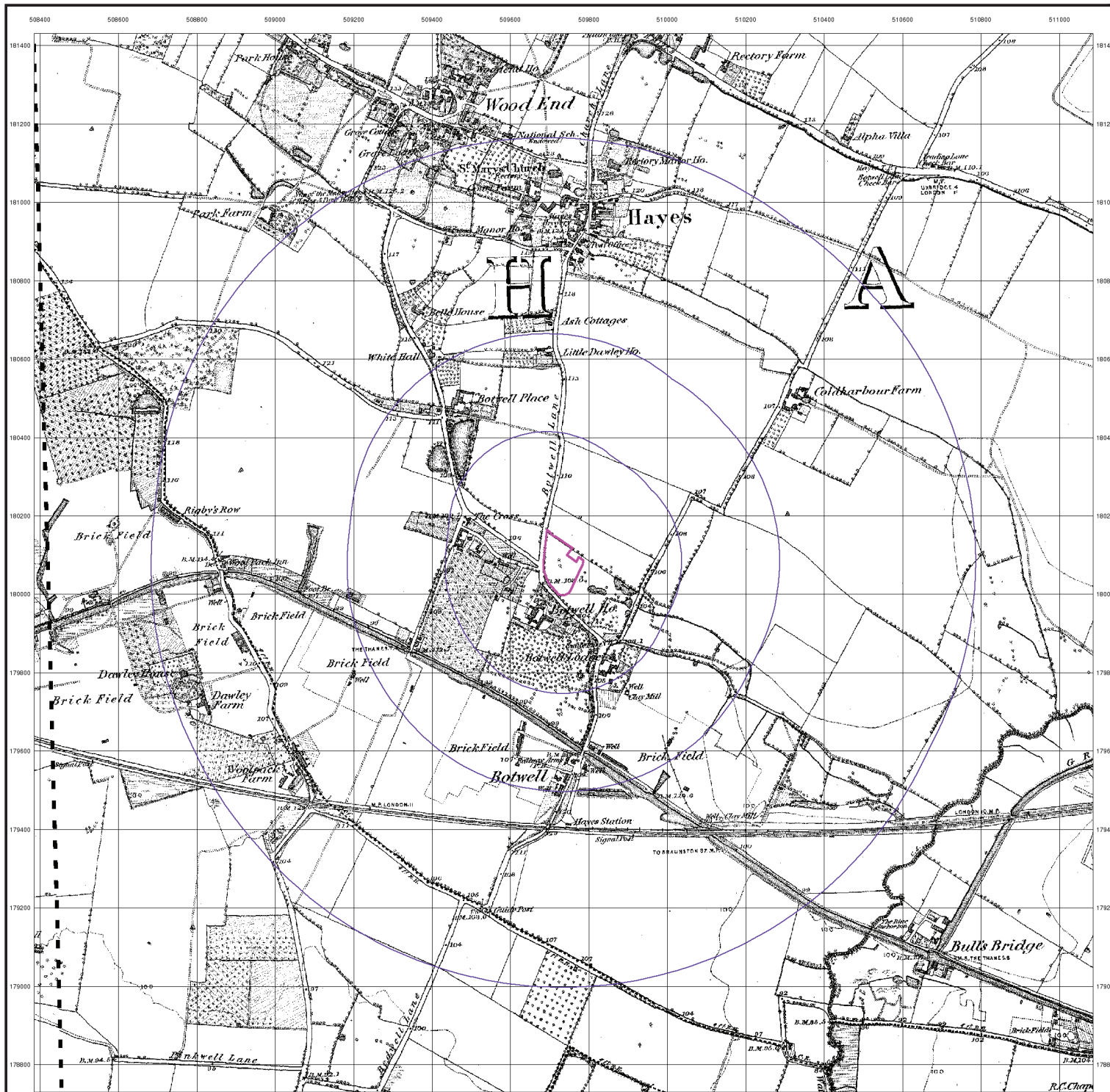
Order Number: 46303056_1_1
Customer Ref: J-M0167.00/MK001
National Grid Reference: 509730, 180080
Slice: A
Site Area (Ha): 1.01
Search Buffer (m): 1000

Site Details

Hayes Swimming Pool, Botwell Lane, HAYES, Middlesex, UB3 2BG



Tel: 0844 844 9952
Fax: 0844 844 9951
Web: www.envirocheck.co.uk





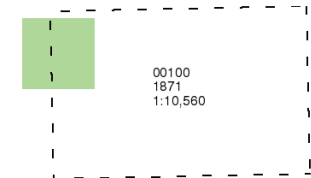
Surrey

Published 1871

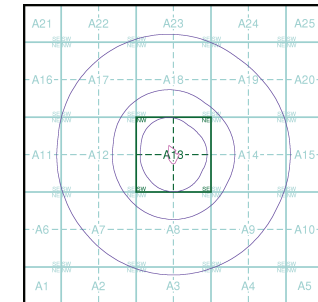
Source map scale - 1:10,560

The historical maps shown were reproduced from maps predominantly held at the scale adopted for England, Wales and Scotland in the 1840's. In 1854 the 1:2,500 scale was adopted for mapping urban areas; these maps were used to update the 1:10,560 maps. The published date given therefore is often some years later than the surveyed date. Before 1938, all OS maps were based on the Cassini Projection, with independent surveys of a single county or group of counties, giving rise to significant inaccuracies in outlying areas. In the late 1940's, a Provisional Edition was produced, which updated the 1:10,560 mapping from a number of sources. The maps appear unfinished - with all military camps and other strategic sites removed. These maps were initially overprinted with the National Grid. In 1970, the first 1:10,000 maps were produced using the Transverse Mercator Projection. The revision process continued until recently, with new editions appearing every 10 years or so for urban areas.

Map Name(s) and Date(s)



Historical Map - Slice A



Order Details

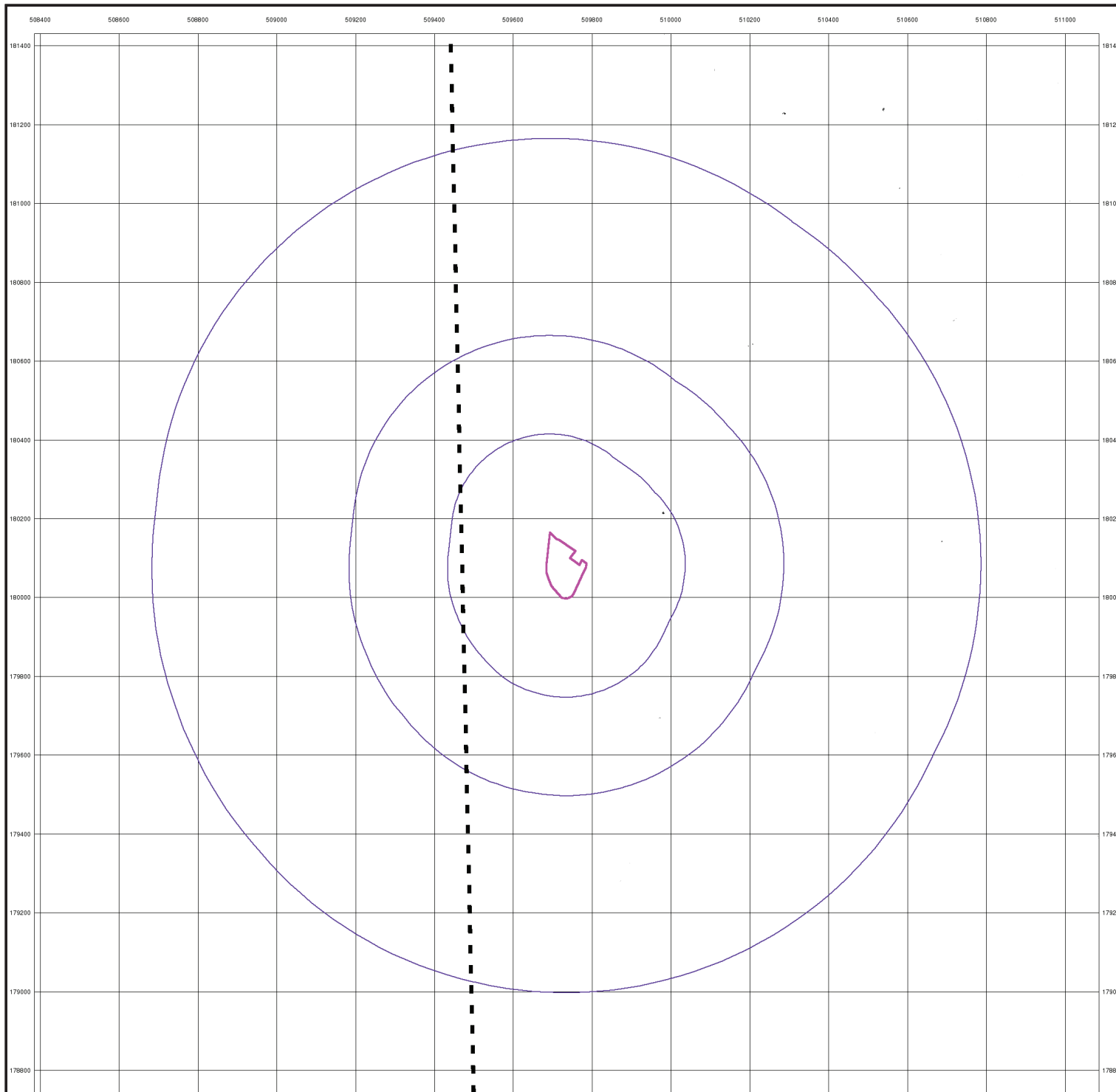
Order Number: 46303056_1_1
Customer Ref: J-M0167.00/MK001
National Grid Reference: 509730, 180080
Slice: A
Site Area (Ha): 1.01
Search Buffer (m): 1000

Site Details

Hayes Swimming Pool, Botwell Lane, HAYES, Middlesex, UB3 2BG



Tel: 0844 844 9952
Fax: 0844 844 9951
Web: www.envirocheck.co.uk





Buckinghamshire

Published 1881

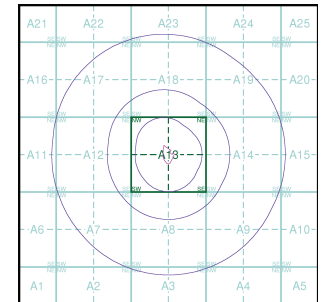
Source map scale - 1:10,560

The historical maps shown were reproduced from maps predominantly held at the scale adopted for England, Wales and Scotland in the 1840's. In 1854 the 1:2,500 scale was adopted for mapping urban areas; these maps were used to update the 1:10,560 maps. The published date given therefore is often some years later than the surveyed date. Before 1938, all OS maps were based on the Cassini Projection, with independent surveys of a single county or group of counties, giving rise to significant inaccuracies in outlying areas. In the late 1940's, a Provisional Edition was produced, which updated the 1:10,560 mapping from a number of sources. The maps appear unfinished - with all military camps and other strategic sites removed. These maps were initially overprinted with the National Grid. In 1970, the first 1:10,000 maps were produced using the Transverse Mercator Projection. The revision process continued until recently, with new editions appearing every 10 years or so for urban areas.

Map Name(s) and Date(s)

05400	1881	1:10,560
05700	1881	1:10,560

Historical Map - Slice A



Order Details

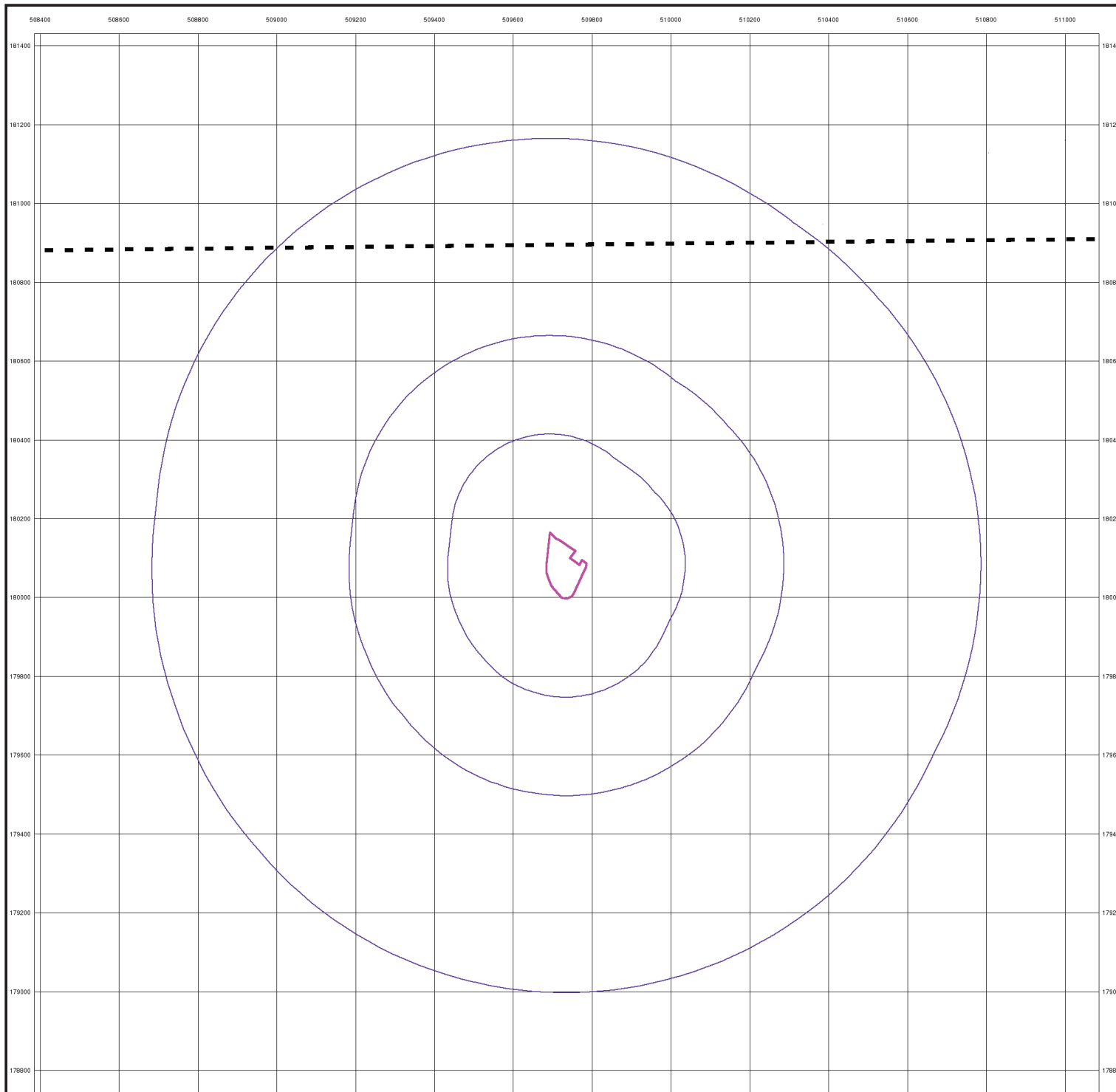
Order Number: 46303056_1_1
 Customer Ref: J-M0167.00/MK001
 National Grid Reference: 509730, 180080
 Slice: A
 Site Area (Ha): 1.01
 Search Buffer (m): 1000

Site Details

Hayes Swimming Pool, Botwell Lane, HAYES, Middlesex, UB3 2BG



Tel: 0844 844 9952
 Fax: 0844 844 9951
 Web: www.envirocheck.co.uk



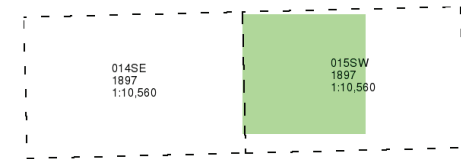


Middlesex
Published 1897

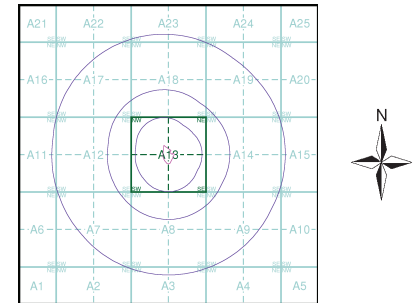
Source map scale - 1:10,560

The historical maps shown were reproduced from maps predominantly held at the scale adopted for England, Wales and Scotland in the 1840's. In 1854 the 1:2,500 scale was adopted for mapping urban areas; these maps were used to update the 1:10,560 maps. The published date given therefore is often some years later than the surveyed date. Before 1938, all OS maps were based on the Cassini Projection, with independent surveys of a single county or group of counties, giving rise to significant inaccuracies in outlying areas. In the late 1940's, a Provisional Edition was produced, which updated the 1:10,560 mapping from a number of sources. The maps appear unfinished - with all military camps and other strategic sites removed. These maps were initially overprinted with the National Grid. In 1970, the first 1:10,000 maps were produced using the Transverse Mercator Projection. The revision process continued until recently, with new editions appearing every 10 years or so for urban areas.

Map Name(s) and Date(s)



Historical Map - Slice A



Order Details

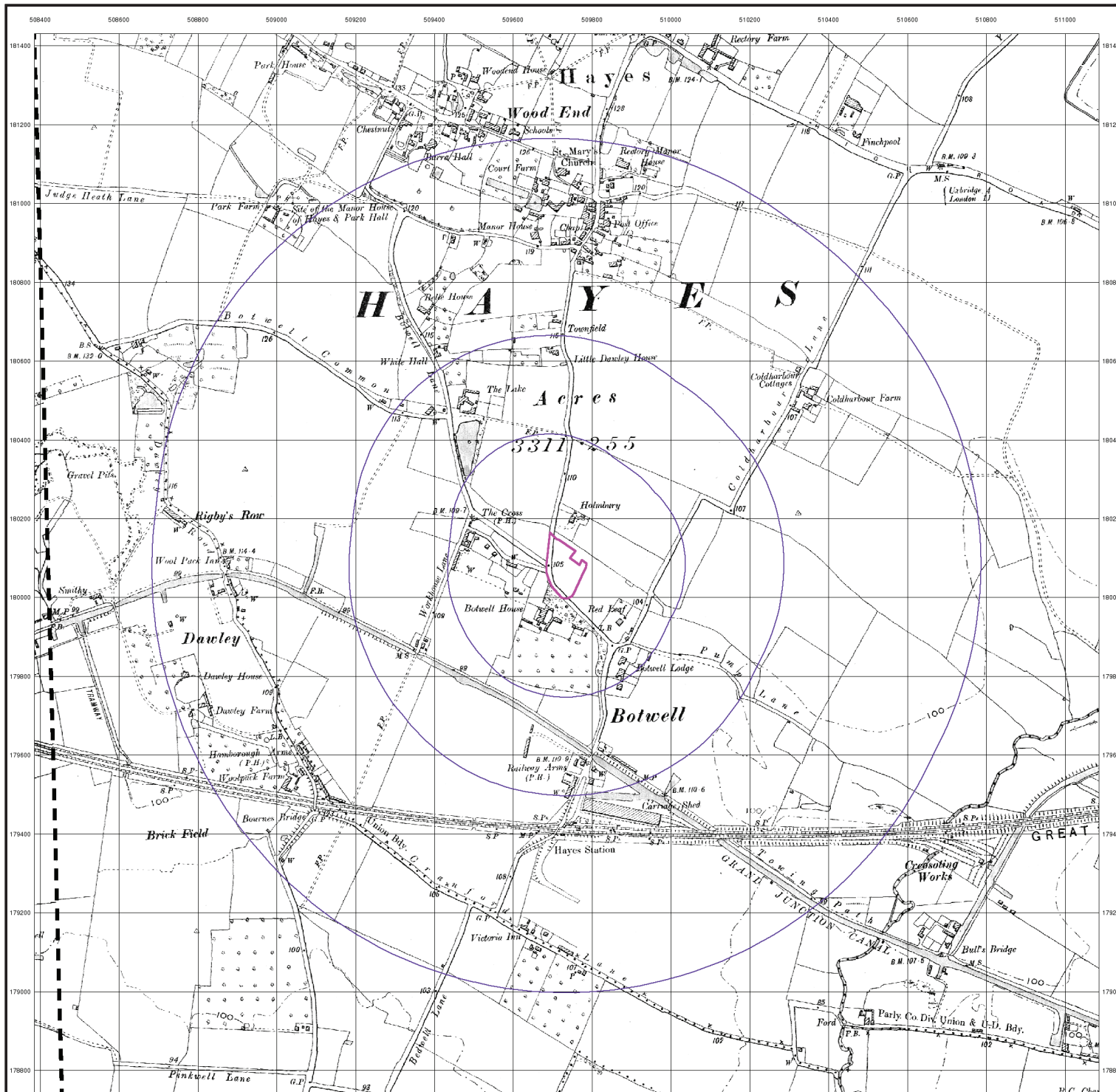
Order Number: 46303056_1_1
Customer Ref: J-M0167.00/MK001
National Grid Reference: 509730, 180080
Slice: A
Site Area (Ha): 1.01
Search Buffer (m): 1000

Site Details

Hayes Swimming Pool, Botwell Lane, HAYES, Middlesex, UB3 2BG



Tel: 0844 844 9952
Fax: 0844 844 9951
Web: www.envirocheck.co.uk





Buckinghamshire

Published 1900

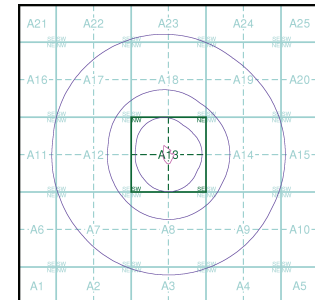
Source map scale - 1:10,560

The historical maps shown were reproduced from maps predominantly held at the scale adopted for England, Wales and Scotland in the 1840's. In 1854 the 1:2,500 scale was adopted for mapping urban areas; these maps were used to update the 1:10,560 maps. The published date given therefore is often some years later than the surveyed date. Before 1938, all OS maps were based on the Cassini Projection, with independent surveys of a single county or group of counties, giving rise to significant inaccuracies in outlying areas. In the late 1940's, a Provisional Edition was produced, which updated the 1:10,560 mapping from a number of sources. The maps appear unfinished - with all military camps and other strategic sites removed. These maps were initially overprinted with the National Grid. In 1970, the first 1:10,000 maps were produced using the Transverse Mercator Projection. The revision process continued until recently, with new editions appearing every 10 years or so for urban areas.

Map Name(s) and Date(s)

054SW	1900	1:10,560
057NW	1900	1:10,560

Historical Map - Slice A



Order Details

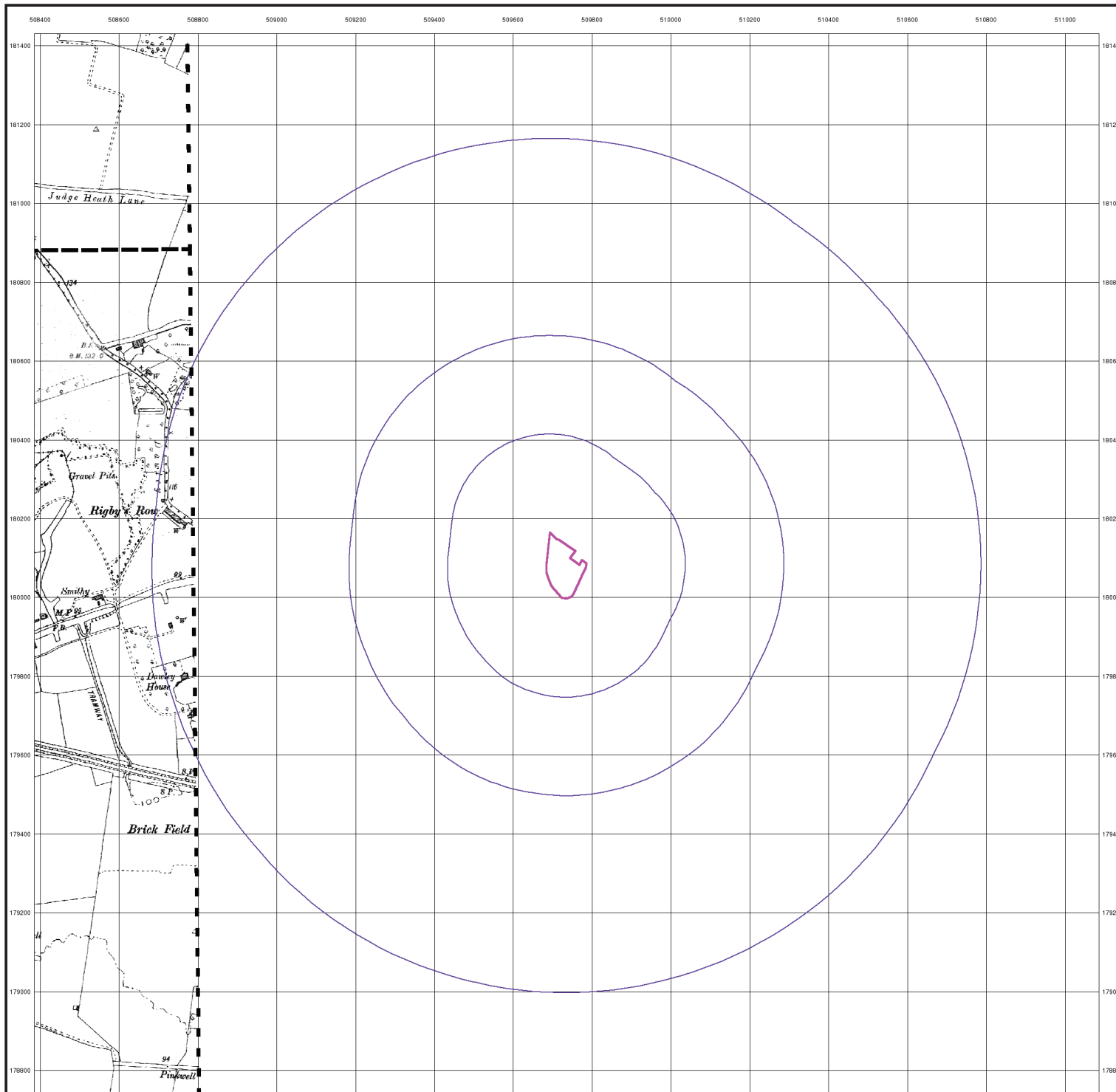
Order Number: 46303056_1_1
 Customer Ref: J-M0167.00/MK001
 National Grid Reference: 509730, 180080
 Slice: A
 Site Area (Ha): 1.01
 Search Buffer (m): 1000

Site Details

Hayes Swimming Pool, Botwell Lane, HAYES, Middlesex, UB3 2BG



Tel: 0844 844 9952
 Fax: 0844 844 9951
 Web: www.envirocheck.co.uk



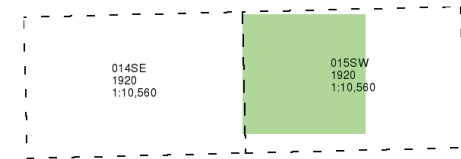


Middlesex
Published 1920

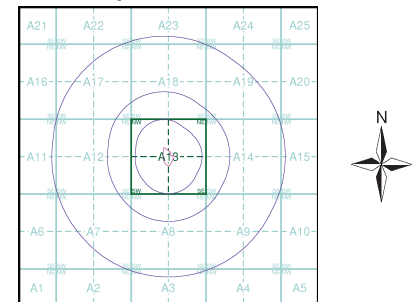
Source map scale - 1:10,560

The historical maps shown were reproduced from maps predominantly held at the scale adopted for England, Wales and Scotland in the 1840's. In 1854 the 1:2,500 scale was adopted for mapping urban areas; these maps were used to update the 1:10,560 maps. The published date given therefore is often some years later than the surveyed date. Before 1938, all OS maps were based on the Cassini Projection, with independent surveys of a single county or group of counties, giving rise to significant inaccuracies in outlying areas. In the late 1940's, a Provisional Edition was produced, which updated the 1:10,560 mapping from a number of sources. The maps appear unfinished - with all military camps and other strategic sites removed. These maps were initially overprinted with the National Grid. In 1970, the first 1:10,000 maps were produced using the Transverse Mercator Projection. The revision process continued until recently, with new editions appearing every 10 years or so for urban areas.

Map Name(s) and Date(s)



Historical Map - Slice A



Order Details

Order Number: 46303056_1_1
Customer Ref: J-M0167.00/MK001
National Grid Reference: 509730, 180080
Slice: A
Site Area (Ha): 1.01
Search Buffer (m): 1000

Site Details

Hayes Swimming Pool, Botwell Lane, HAYES, Middlesex, UB3 2BG



Tel: 0844 844 9952
Fax: 0844 844 9951
Web: www.envirocheck.co.uk

