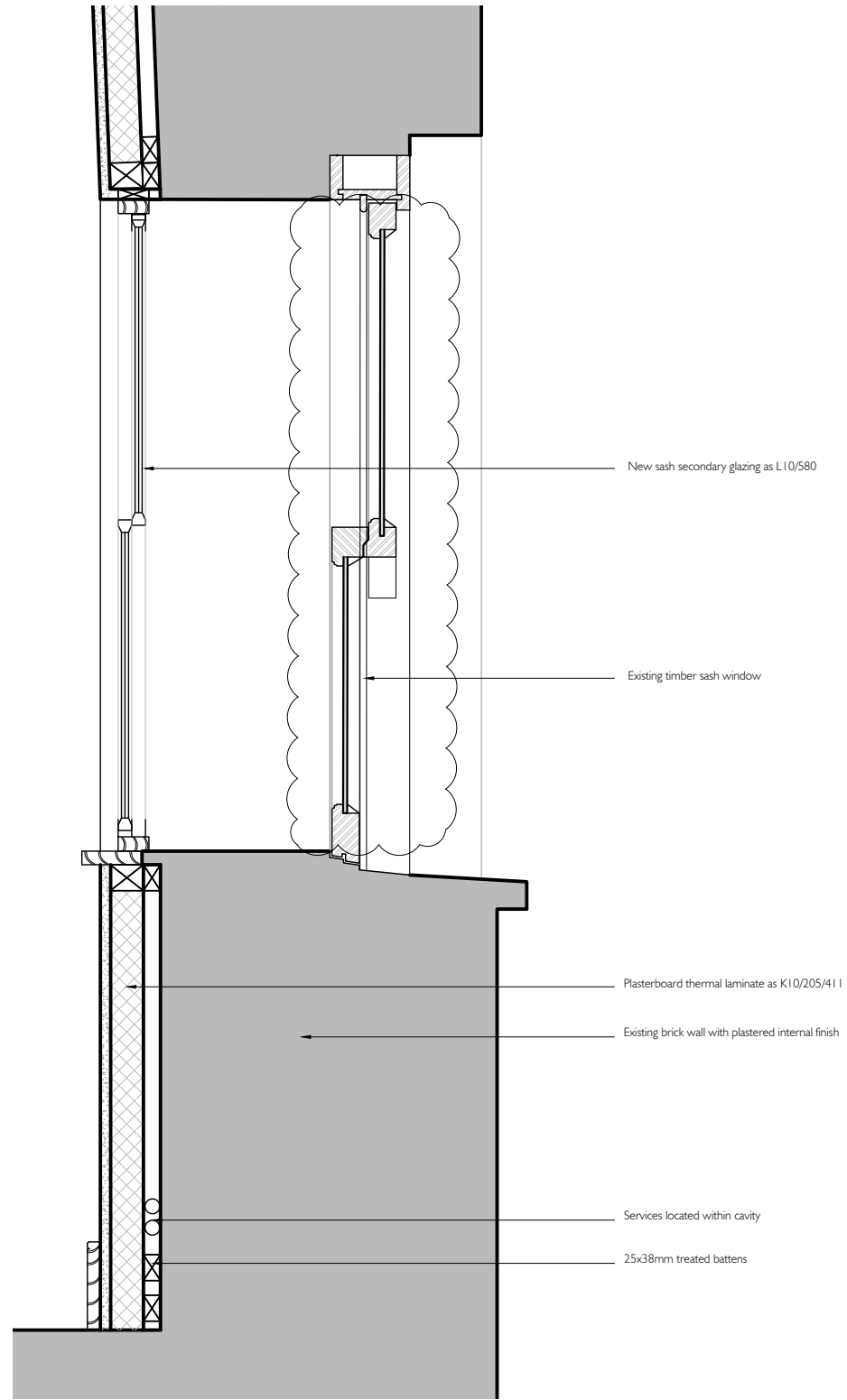
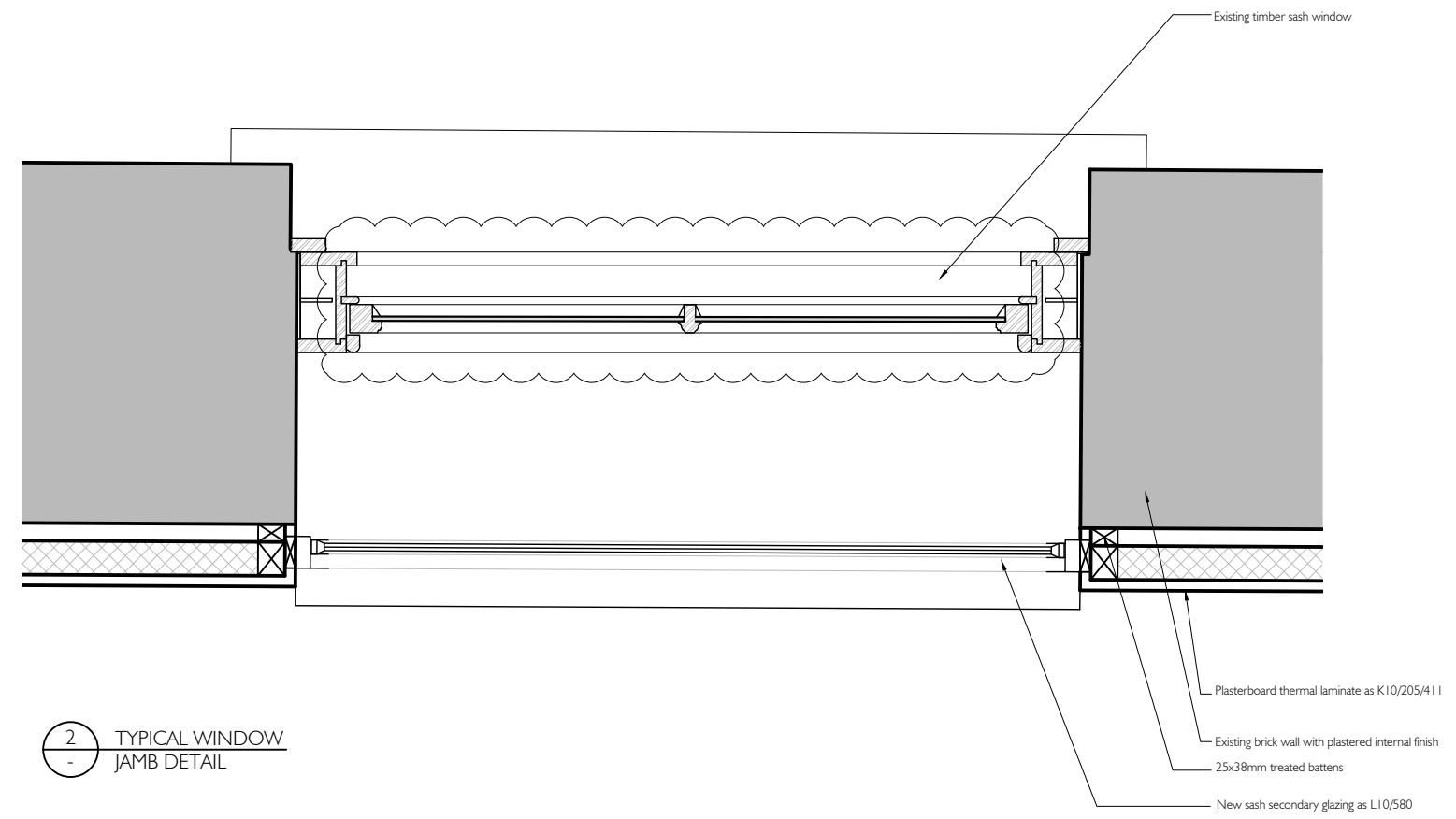


DO NOT SCALE DRAWINGS. THE CONTRACTOR IS RESPONSIBLE FOR CHECKING DIMENSIONS & ANY DISCREPANCY IS TO BE REFERRED TO THE ARCHITECT.

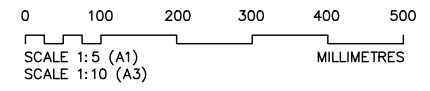


1 TYPICAL WINDOW HEAD AND SILL DETAIL



2 TYPICAL WINDOW JAMB DETAIL

DIMENSIONS INDICATIVE ONLY. FOR PRICING PURPOSES ALL OPENINGS TO BE MEASURED ON SITE PRIOR TO MANUFACTURE IRONMONGERY AS SCHEDULE & P21



CONTRACT		
P2	Planning	12.05.2022
-	Contract	22.04.2022
P1	Planning	April 2021
T	Tender	April 2021
P	Planning	April 2021
REV.	AMENDMENT	DATE



THOMAS FORD & PARTNERS
 CHARTERED ARCHITECTS SURVEYORS
 177 KIRKDALE
 SYDENHAM • LONDON • SE26 4QH
 TEL 020 8659 3250 • FAX 020 8659 3146
 EMAIL tfj@thomasford.co.uk

PROJECT			
HILLINGDON CRANFORD PARK			
TITLE			
TYPICAL SECONDARY GLAZING AND WALL THERMAL UPGRADING DETAILS			
DRAWN	DATE	SCALE	CHECKED
CK	Feb 20	1:5/1:20@A1	
PROJECT REF		DRG. No.	REV
535401		DET-114	P2