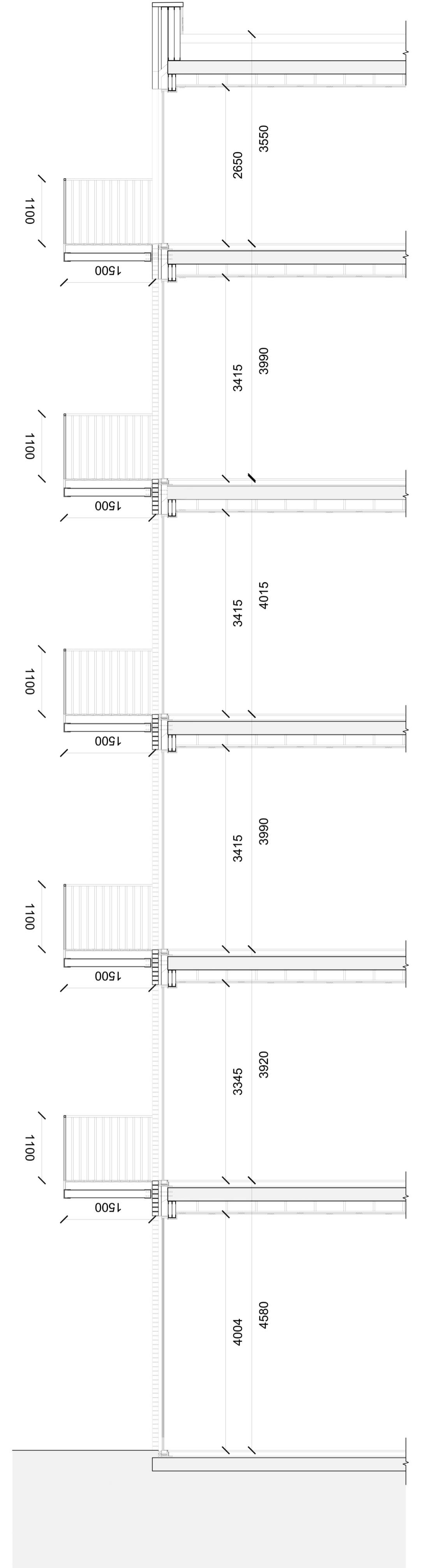


PARAPET FL + 55.795
 RFL + 55.320
 5F FCL + 53.355
 5F FFL + 50.855
 4F FCL + 50.280
 4F FFL + 47.780
 3F FCL + 47.205
 3F FFL + 43.790
 2F FCL + 43.215
 2F FFL + 39.800
 1F FCL + 39.225
 1F FFL + 35.880
 GF FCL + 35.305
 GF FFL + 31.300



DATE	REV	DESCRIPTION	CHK
11/11/14	01	FOR PRELIMINARY APPLICATION	AW
12/11/14	02	FOR PLANNING APPLICATION	AW
12/11/14	03	FOR PLANNING APPLICATION	AW